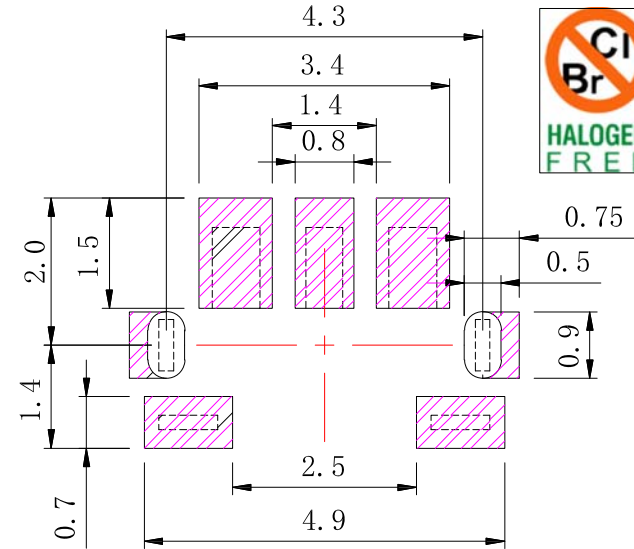
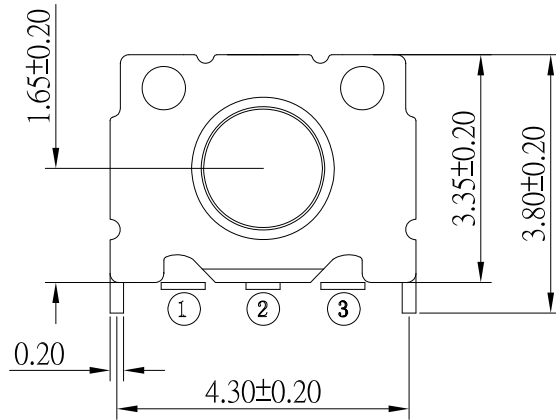


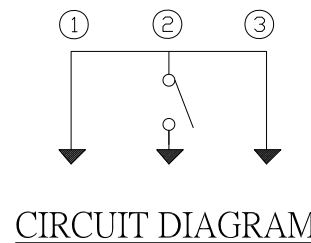
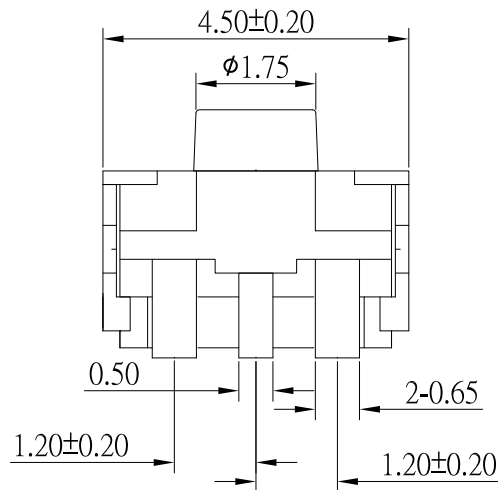
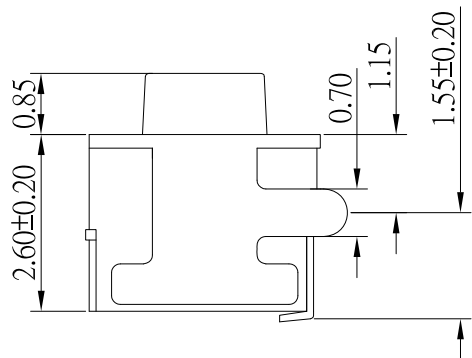


TS-AA2-xx-HF-S246

XX	Operating Force	STEM COLOR
2	160 ± 50gf	Black
3R	260 ± 50gf	RED



PCB LAYOUT



SPECIFICATIONS

Rating	DC 12V 50mA.
Insulation Resistance	100 MΩ Min.
Contact Resistance	100 mΩ Max.
Operating Force	2 160 ± 50gf 3 260 ± 50gf
Operating Life (cycles)	100,000

NO.	DESCRIPTION	QTY	MATERIAL	PLATING
E	TERMINAL	3	PHOSPHOR BRONZE	Ag plated
D	CONTACT	2	SUS	Ag plated
C	COVER	1	PHOSPHOR BRONZE	Ag plated
B	BASE	1	LCP	Black
A	STEM	1	LCP	

東莞市高迪電子有限公司  
DONG GUAN GAO DI ELECTRONICS CO., LTD

TOLERANCE UNLESS OTHERWISE STATED :  
 Up to 5 ±0.2  
 Above 5 ~ 15 ±0.3  
 Above 15 ~ 30 ±0.4  
 Above 30 ~ 50 ±0.5  
 Angle ±0.3

3RD. ANGEL'S

UNITS MM

DRAWN BY:	DATE	MATL	TITLE	SWITCH
Jack Lu	06/26/24	FINISH	MODLE	TACT SWITCH 無鹵/防火等級94V-0
CHECKED BY:	DATE	SCALE	DWG NO.	TS-AA2-xx-HF-S246
Jacky Chen	06/26/24	1 : 1	PART NO.	TS-AA2-xx-HF-S246
APPROVED BY:	DATE	SHEET NO.		
Tony Kao	06/26/24	1 of 1		

ITEM NO.	DESCRIPTION	DRAWN	DATE
12	更新選項編號	Jack	062624
11	更新PCB LAYOUT	Jack	121420
10	更新圖面	Jack	060320
9	更新料號新增UL94V-0	Jack	051820