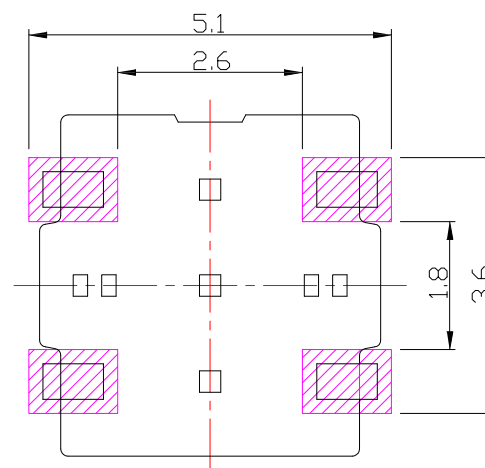
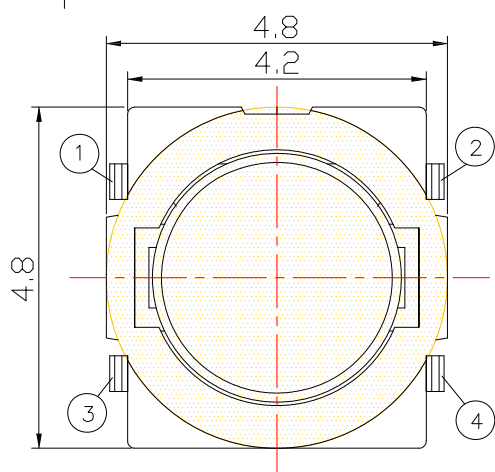
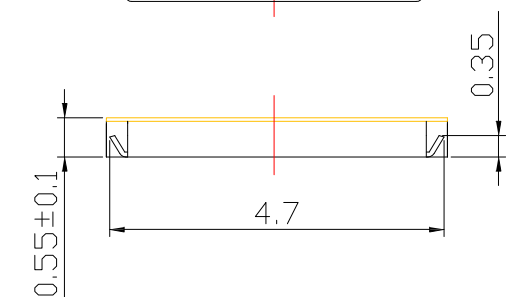


CIRCUIT DIAGRAM

PRODUCT IMAGE



P.C.B LAND DIMENTION

SPECIFICATIONS

Rating	DC 12V 50mA Max.
Circuit	1C - 1P
Contact Resistance	100mΩ Max.
Travel	0.2 ± 0.1mm
Operating Force	2 160 ± 50gf 3 250 ± 50gf
Operating Life (cycles)	100,000

東莞市高迪電子有限公司
DONG GUAN GAO DI ELECTRONICS CO., LTD

TOLERANCE UNLESS OTHERWISE STATED:

Up to 5 ±0.2
Above 5 ~ 15 ±0.3
Above 15 ~ 30 ±0.4
Above 30 ~ 50 ±0.5
Angle ±0.3°

3RD. ANGEL'S



UNITS MM

DRAWN BY: Jack Lu 07/16/14
CHECKED BY: Jacky Chen 07/16/14
APPROVED BY: Tony Kao 07/16/14

MAT'L		TITLE	SWITCH
FINISH		MODLE	TACT SWITCH
SCALE	1 : 1	DWG NO.	TS-A97AW-x-S126
SHEET NO.	1 of 1	PART NO.	TS-A97AW-x-S126
		SIZE	A4
		VER	R1

1	更新圖面公差	Jack	071614
ITEM NO.	DESCRIPTION	DRAWN	DATE