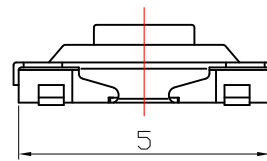
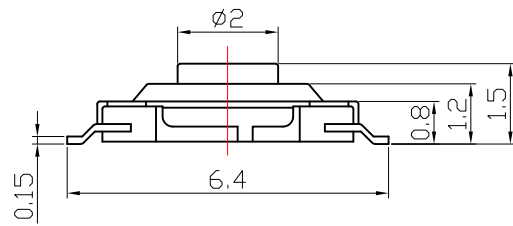
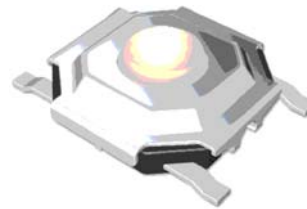
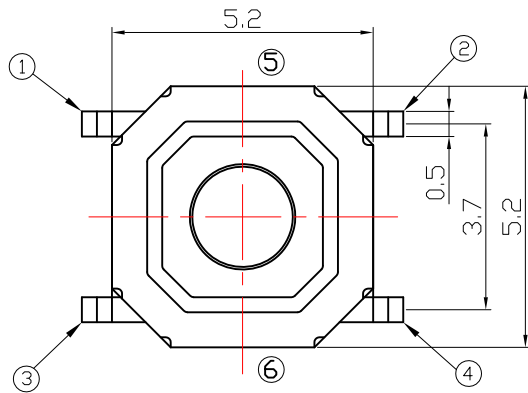
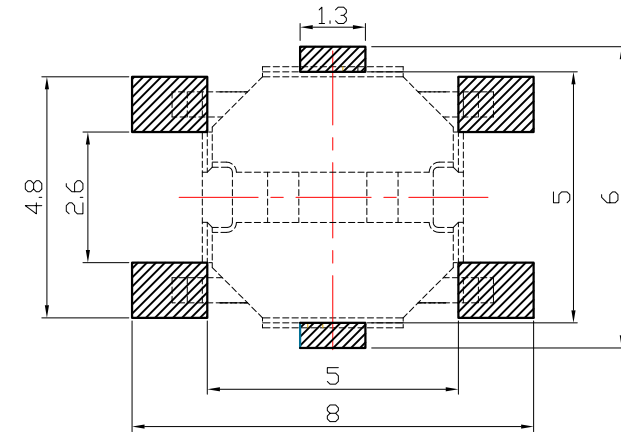


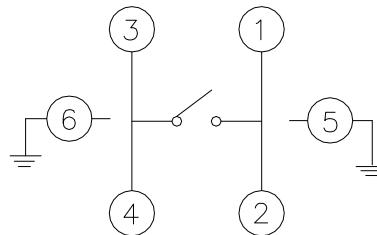
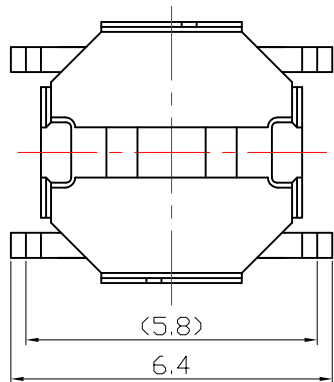
### DIMENSIONS



### P.C.B MOUNTING HOLE DIMENSIONS



### CIRCUIT DIAGRAM



### SPECIFICATIONS

Rating	DC 12V 50mA Max.		
Circuit	1P - 1C		
Contact Resistance	100mΩ Max.		
Travel	0.25 ± 0.1mm		
Operating Force	0	100 ± 30 gf	1 130 ± 30 gf 2 160 ± 50 gf 3 250 ± 50 gf
Operating Life(cycles)	100,000 cycles		



TOLERANCE UNLESS OTHERWISE STATED:  
 Up to 5 ±0.2  
 Above 5 ~ 15 ±0.3  
 Above 15 ~ 30 ±0.4  
 Above 30 ~ 50 ±0.5  
 Angle ±0.3°

3RD. ANGEL'S



UNITS MM

DRAWN BY:	DATE	MAT'L	TITLE	SWITCH
Jack Lu	09/06/13		MODLE	TACT SWITCH
CHECKED BY:	DATE	FINISH	SCALE	1 : 1
Jacky Chen	09/06/13		DWG NO.	TS-A87G-x-S126
APPROVED BY:	DATE	SHEET NO.	PART NO.	TS-A87G-x-S126
Tony Kao	09/06/13	1 of 1		

2	更新CIRCUIT DIAGRAM	Jack	090613
1	新增OP的選項	Jack	070213
ITEM NO.	DESCRIPTION	DRAWN	DATE