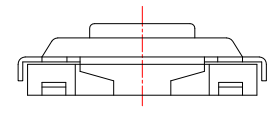
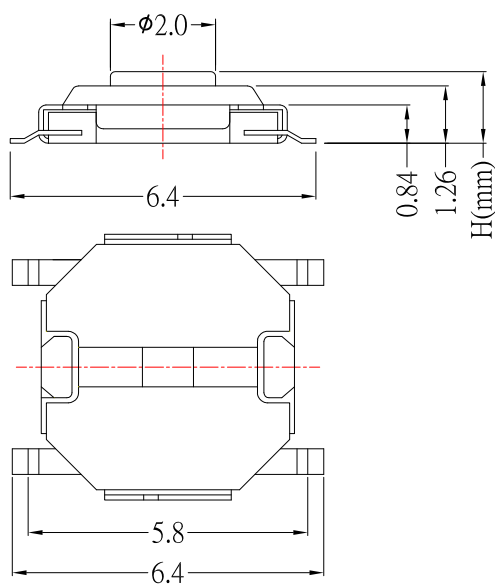


P.C.B MOUNTING PATTERN DIMENSION



SPECIFICATIONS

Model	H(mm)	STEM MATERIAL / COLOR
TS-A87	1.5	BRASS / Yellow
TS-A87Q	1.6	BRASS / Silver
TS-A87B	1.7	LCP / White
TS-A87B1	1.7	BRASS / Yellow
TS-A87C	2.0	BRASS / Yellow
TS-A87D	2.3	BRASS / Yellow
TS-A87F	2.5	BRASS / Yellow
TS-A87E	3.0	BRASS / Yellow
TS-A87A	4.3	LCP / Black

Rating	DC 12V 50mA				
Contact Resistance	100mΩ Max.				
Travel	0.20 ± 0.1mm				
Operating Force	0	1	2	3	4
	100 ± 30gf	130 ± 30gf	160 ± 50gf	250 ± 50gf	320 ± 50gf
Operating Life (cycles)	100,000		80,000	50,000	

NO.	DESCRIPTION	QTY	MATERIAL	PLATING
F	DUST COVER	1	PI FILM	
E	TERMINAL	4	BRASS	Ag plated
D	CONTACT	1	SUS	Ag plated
C	COVER	1	SUS	
B	CASE	1	LCP	
A	STEM	1	BRASS/LCP	

10	新增高度H1選項	Jack	081015	14	更新MODLE	Jack	041817		
9	新增高度H3選項	Jack	041515	13	新增Operating Force:320320 ± 50gf	Jack	031517	17	新增材質表
8	更新料號	Jack	080114	12	新增高度選項	Jack	041516	16	新增STEM顏色
7	新增高度選項	Jack	071614	11	新增高度選項	Jack	122815	15	更新高度選項
6	更新pcb layout外觀解接地及高度選項及新增STEM MATERIAL	Jack	062714						
5	新增Operating Force選項100gf	Jack	032014						
4	新增高度選項	Jack	031414						
3	更新實體圖及背面圖及pcb layout	Jack	021414						
2	更新實體圖	Jack	062113						
1	更新SPEC	Jack	042213						
ITEM NO.	DESCRIPTION	DRAWN	DATE						



TOLERANCE UNLESS OTHERWISE STATED: Up to 5 ±0.2, Above 5 ~ 15 ±0.3, Above 15 ~ 30 ±0.4, Above 30 ~ 50 ±0.5, Angle ±0.3

3RD. ANGEL'S

UNITS MM

DRAWN BY:	DATE	MAT'L	TITLE	SIZE
Jack Lu	08/11/20		SWITCH	A4
CHECKED BY:	DATE	FINISH	MODLE	VER
Jacky Chen	08/11/20		TACT SWITCH 圓型蓋	A17
APPROVED BY:	DATE	SCALE	DWG NO.	
Tony Kao	08/11/20	1 : 1	TS-A87x-x-S126	
		SHEET NO.	PART NO.	
		1 of 1	TS-A87x-x-S126	