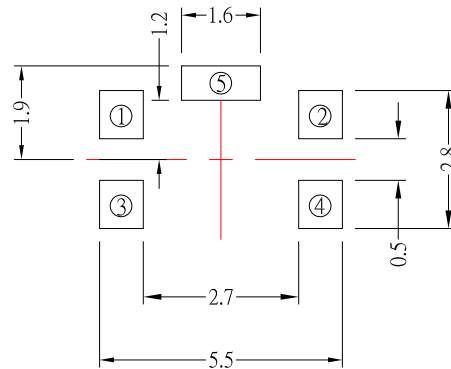


CIRCUIT DIAGRAM

MODEL NO.	L (mm)
TS-A85BPG-x-1.8	1.8
TS-A85BPG-x-2.0	2.0
TS-A85BPG-x-2.5	2.5
TS-A85BPG-x-7.0	7.0



SMD REFLOW PATTERN

SPECIFICATIONS

Rating	DC 12V 50mA Max.
Circuit	1C - 1P
Contact Resistance	100mΩ Max.
Travel	0.15 ± 0.1mm
Operating Force	0 100 ± 30gf 1 130 ± 30gf 2 160 ± 50gf 3 250 ± 50gf
Operating Life (cycles)	100,000

ITEM NO.	DESCRIPTION	DRAWN	DATE
4	更新"L"選項	Jack	101515
3	更新Travel及新增"L"選項	Jack	072313
2	更新圖面背面圖	Jack	071513
1	新增OF選項	Jack	070413



TOLERANCE UNLESS OTHERWISE STATED:
 Up to 5 ±0.2
 Above 5 ~ 15 ±0.3
 Above 15 ~ 30 ±0.4
 Above 30 ~ 50 ±0.5
 Angle ±0.3

3RD. ANGEL'S

UNITS MM

DRAWN BY:	DATE	MAT'L	TITLE	SWITCH
Jack Lu	10/15/15		MODLE	TACT SWITCH
CHECKED BY:	DATE	FINISH	SCALE	1 : 1
Jacky Chen	10/15/15		DWG NO.	TS-A85BPG-x-x-S126
APPROVED BY:	DATE	SHEET NO.	PART NO.	TS-A85BPG-x-x-S126
Tony Kao	10/15/15	1 of 1		