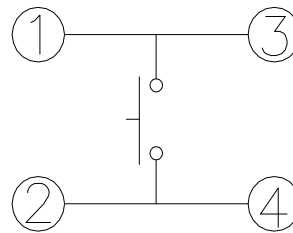
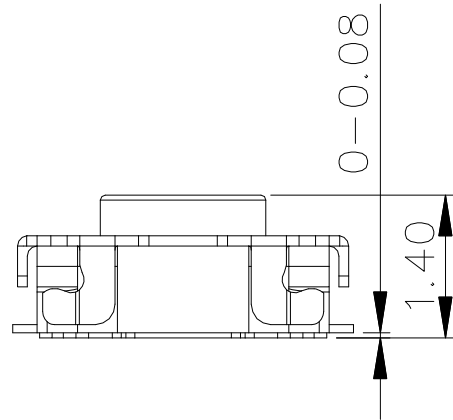


PCB LAYOUT



CIRCUIT DIAGRAM

SPECIFICATIONS

Rating	DC 12V, 50mA.					
Contact Resistance	100 mΩ Max.					
Operating Force	10	80 ± 30gf	2	160 ± 50gf	3	260 ± 50gf
Operating Life (cycles)	200,000		100,000			

E	TERMINAL	4	PHOSPHOR BRONZE	Ag plated
D	BASE	1	LCP	
C	CONTACT	1	SUS	Ag plated
B	COVER	1	SUS	
A	STEM	1	LCP	
NO.	DESCRIPTION	QTY	MATERIAL	PLATING

2	新增編號位置	Jack	041124
1	新增Operating Force:80±30gf	Jack	032023
ITEM NO.	DESCRIPTION	DRAWN	DATE

東莞市高迪電子有限公司
DONG GUAN GAO DI ELECTRONICS CO., LTD

TOLERANCE UNLESS OTHERWISE STATED:
Up to 5 ±0.2
Above 5 ~ 15 ±0.3
Above 15 ~ 30 ±0.4
Above 30 ~ 50 ±0.5
Angle ±0.3°

3RD. ANGEL'S



UNITS MM

DRAWN BY: Jack Lu
CHECKED BY: Jacky Chen
APPROVED BY: Tony Kao

DATE: 04/11/24
DATE: 04/11/24
DATE: 04/11/24

MAT'L		TITLE	SWITCH
FINISH		MODLE	TACT SWITCH
SCALE	1 : 1	DWG NO.	TS-A82-x-S138
SHEET NO.	1 of 1	PART NO.	TS-A82-x-S138

SIZE: A4
VER: R2