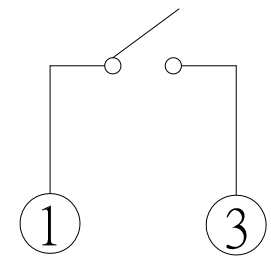
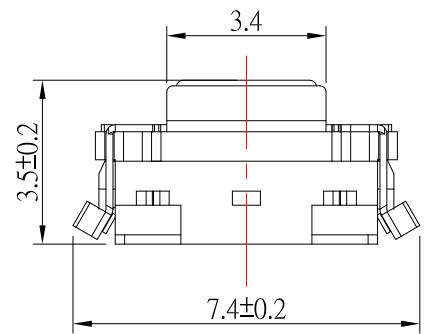


P.C.B MOUNTING PATTERN DIMENSION



CIRCUIT DIAGRAM

SPECIFICATIONS

Rating	DC 12V, 50mA Max.
Contact Resistance	100mΩ Max.
Travel	0.50 ± 0.30mm
Operating Force	180 ± 50gf
Operating Life (cycles)	300,000

E	TERMINAL	4	H65	Ag plated
D	BASE	1	PA6T	
C	CONTACT	1	SUS	Ag plated
B	COVER	1	SUS	
A	STEM	1	RUBBER	
NO.	DESCRIPTION	QTY	MATERIAL	PLATING

MAT'L		TITLE	SWITCH
FINISH		MODLE	TACT SWITCH WATERPROOF V/T TYPE
SCALE	1 : 1	DWG NO.	TS-A77WVS-2-S138
SHEET NO.	1 of 1	PART NO.	TS-A77WVS-2-S138

**東莞市高迪電子有限公司**  
**DONG GUAN GAO DI ELECTRONICS CO., LTD**

TOLERANCE UNLESS OTHERWISE STATED:  
 Up to 5 ±0.2  
 Above 5 ~ 15 ±0.3  
 Above 15 ~ 30 ±0.4  
 Above 30 ~ 50 ±0.5  
 Angle ±0.3°

3RD. ANGEL'S

UNITS MM

DRAWN BY: Jack Lu  
 CHECKED BY: Jacky Chen  
 APPROVED BY: Tony Kao

DATE: 05/25/23

ITEM NO.	DESCRIPTION	DRAWN	DATE