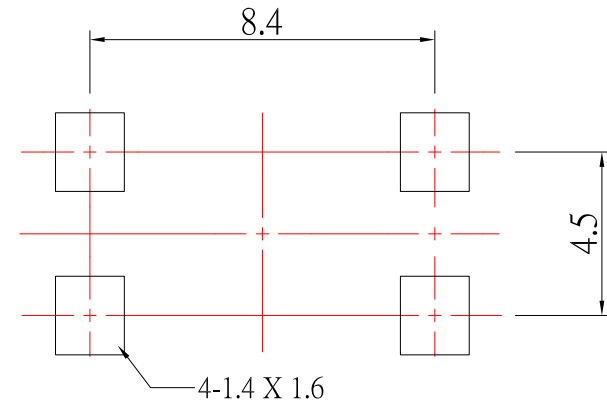
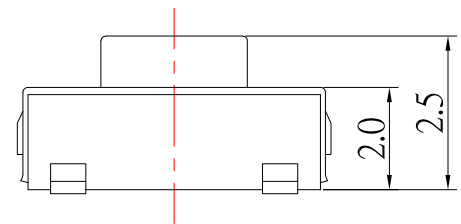
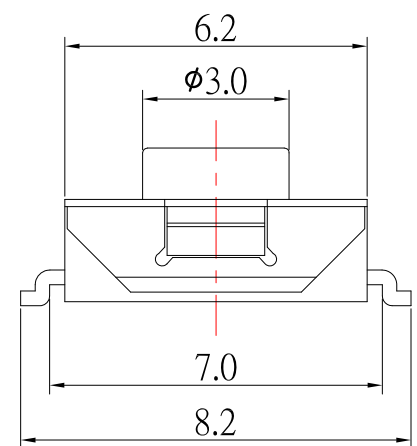


CIRCUIT DIAGRAM



P.C.B MOUNTING PATTERN DIMENSION



SPECIFICATIONS

Rating	DC 12V 50mA
Contact Resistance	100mΩ Max.
Travel	0.20 ± 0.1mm
Operating Force	50 ± 20gf
Operating Life (cycles)	1,000,000

東莞市高迪電子有限公司
DONG GUAN GAO DI ELECTRONICS CO., LTD

TOLERANCE UNLESS OTHERWISE STATED:
 Up to 5 ±0.2
 Above 5 ~ 15 ±0.3
 Above 15 ~ 30 ±0.4
 Above 30 ~ 50 ±0.5
 Angle ±0.3

3RD. ANGEL'S UNITS MM

DRAWN BY:	DATE	MAT'L	TITLE	SIZE
Jack Lu	02/11/15		SWITCH	A4
CHECKED BY:	DATE	FINISH	MODLE	VER
Jacky Chen	02/11/15		TACT SWITCH (輕克重 / 長壽命)	R
APPROVED BY:	DATE	SCALE	DWG NO.	
Tony Kao	02/11/15	1 : 1	TS-A59-50-S048	
		SHEET NO.	PART NO.	
		1 of 1	TS-A59-50-S048	

ITEM NO.	DESCRIPTION	DRAWN	DATE