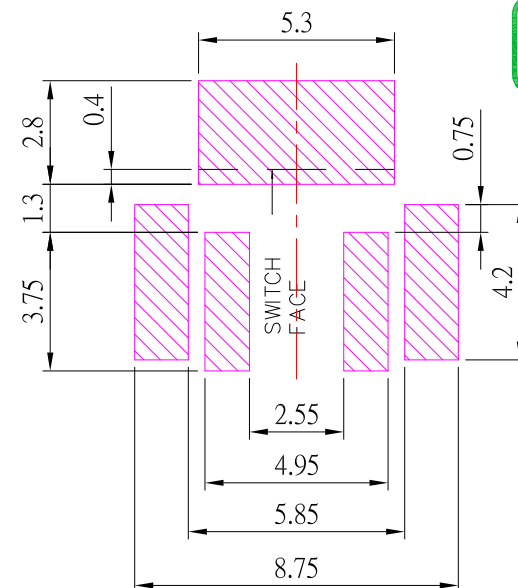
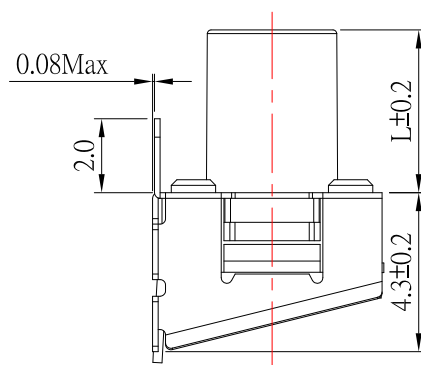
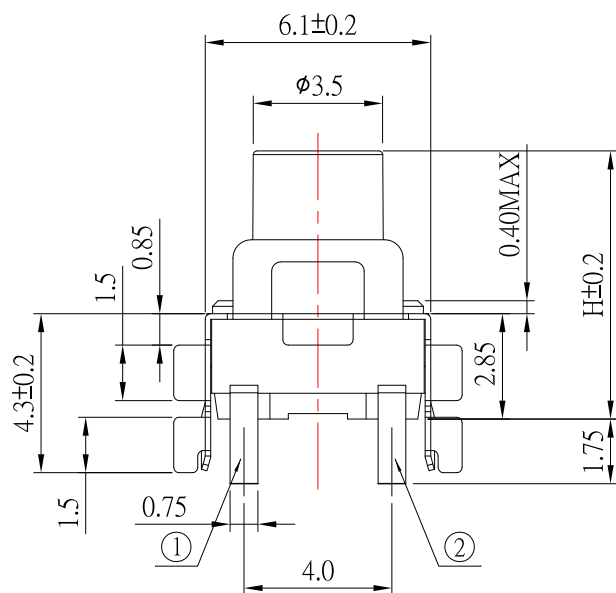


CIRCUIT DIAGRAM

MODEL NO.	TS-A58VS4	TS-A58VS4A	TS-A58VS4B
L (mm)	4.40	4.90	2.30
H (mm)	7.25	7.75	5.15



P.C.B LAYOUT



SPECIFICATIONS

Rating	DC 12V 50mA	
Contact Resistance	100mΩ Max.	
Travel	030±0.10mm	
Operating Force	2 180± 50gf	3 250± 50gf
Operating Life (cycles)	200,000	100,000

NO.	DESCRIPTION	QTY	MATERIAL	PLATING
G	STEM	1	PPA	
F	COVER	1	SUS	Ag plated
E	PRESSURE PAD	1	PPA	
D	RUBBER PAD	1	SILICA GEL	
C	CONTACT	1	SUS	Ag plated
B	TERMINAL	2	H65	Ag plated
A	BASE	1	PA6T	



TOLERANCE UNLESS OTHERWISE STATED:  
 Up to 5 ±0.2  
 Above 5 ~ 15 ±0.3  
 Above 15 ~ 30 ±0.4  
 Above 30 ~ 50 ±0.5  
 Angle ±0.3

3RD. ANGEL'S



UNITS MM

DRAWN BY:	DATE	MAT'L	TITLE	SWITCH
Jack Lu	01/03/22		MODLE	TACT SWITCH
CHECKED BY:	DATE	SCALE	DWG NO.	TS-A58VS4x-x-S138
Jacky Chen	01/03/22	1 : 1	PART NO.	TS-A58VS4x-x-S138
APPROVED BY:	DATE	SHEET NO.		
Tony Kao	01/03/22	1 of 1		

ITEM NO.	DESCRIPTION	DRAWN	DATE
1	更新圖面	Jack	010323