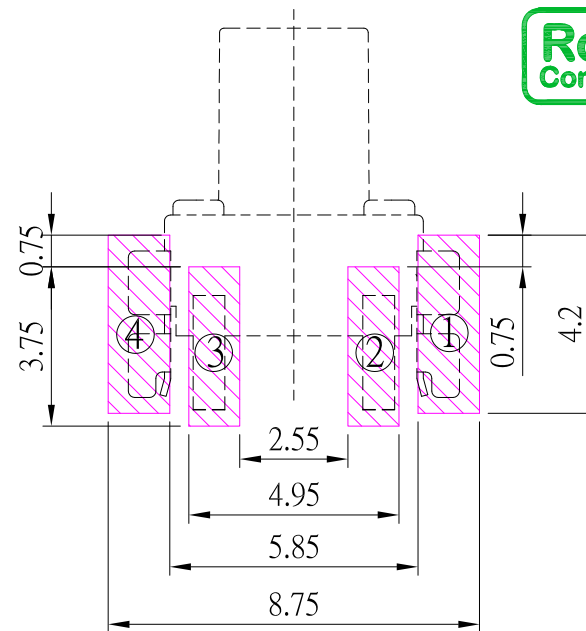
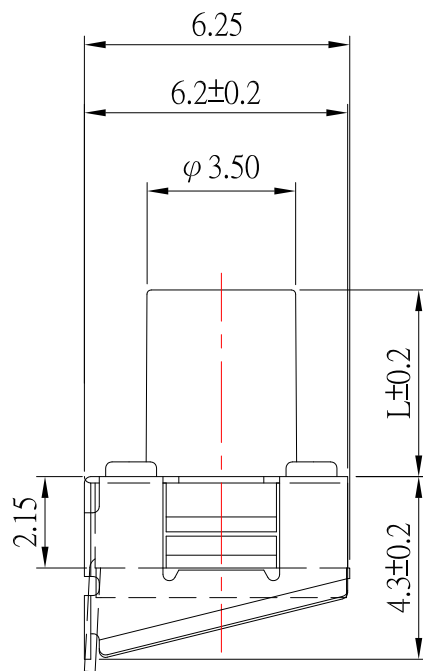
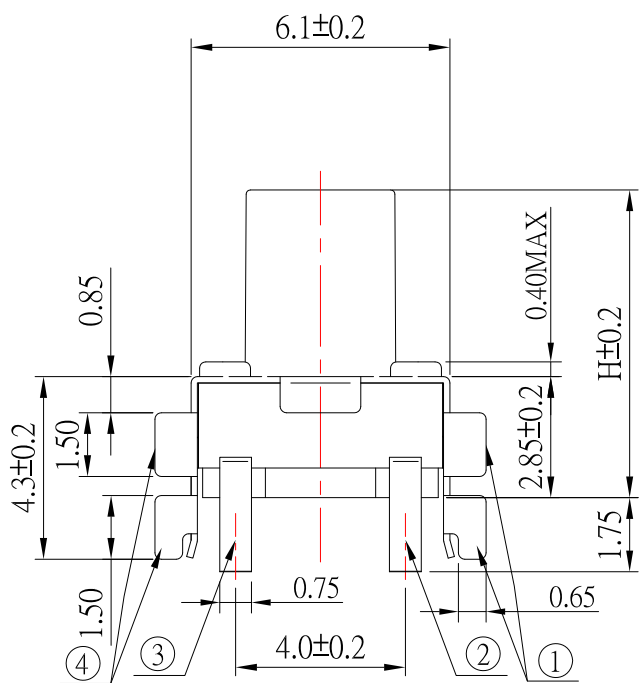


CIRCUIT DIAGRAM



P.C.B LAYOUT



MODEL NO.	TS-A58VS1	TS-A58VS1B
L (mm)	4.40	2.30
H (mm)	7.25	5.15

SPECIFICATIONS

Rating	DC 12V 50mA							
Contact Resistance	100mΩ Max.							
Travel	035±0.15mm							
Operating Force	2	160± 50gf	3	250± 50gf	4	320± 50gf	5	400± 50gf
Operating Life (cycles)	50,000				30,000			

4	新增平整度標示	Jack	110623
3	新增PCB LAYOUT中零件外型	Jack	091222
2	更新腳位編號	Jack	092220
1	更新尺寸選項	Jack	022720
ITEM NO.	DESCRIPTION	DRAWN	DATE

東莞市高迪電子有限公司
DONG GUAN GAO DI ELECTRONICS CO., LTD

TOLERANCE UNLESS OTHERWISE STATED:
 Up to 5 ±0.2
 Above 5 ~ 15 ±0.3
 Above 15 ~ 30 ±0.4
 Above 30 ~ 50 ±0.5
 Angle ±0.3

3RD. ANGEL'S UNITS MM

DRAWN BY:	DATE	MAT'L	TITLE	SWITCH
Jack Lu	11/06/23			
CHECKED BY:	DATE	FINISH	MODLE	TACT SWITCH 無接地腳
Jacky Chen	11/06/23			
APPROVED BY:	DATE	SCALE	DWG NO.	TS-A58VS1x-x-S138
Tony Kao	11/06/23	1 : 1	PART NO.	TS-A58VS1x-x-S138
		SHEET NO.	1 of 1	
				SIZE A4
				VER R4