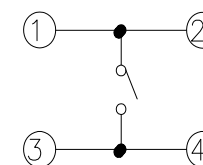




TS-A58x-x-S138

Operating Force

MODEL NO.	TS-A58	TS-A58A	TS-A58B	TS-A58D
L (mm)	3.5	5.2	4.3	4.9

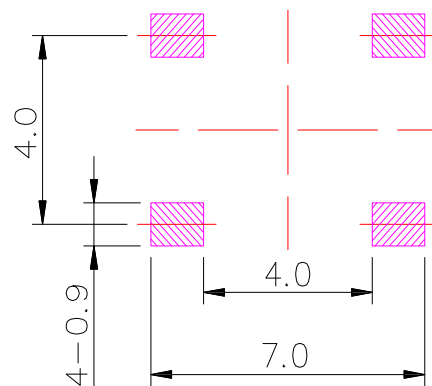
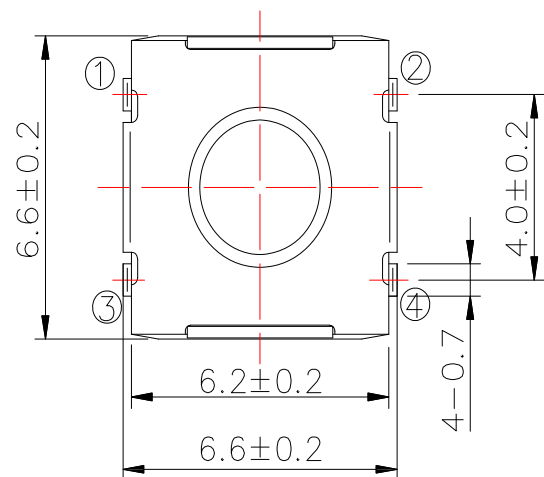


CIRCUIT DIAGRAM

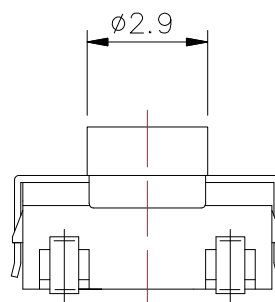
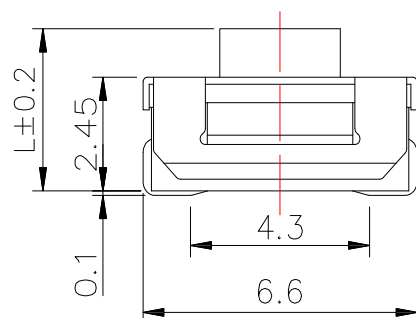
SPECIFICATIONS

Rating	DC 12V 50mA.		
Insulation Resistance	100 MΩ Min.		
Contact Resistance	100 mΩ Max.		
Dielectric Withstanding Voltage	AC 250V(50Hz) 1 min		
Operating Force	2 180 ± 50gf	3 250 ± 50gf	4 320 ± 50gf
Operating Life (cycles)	500,000	300,000	200,000

E	STEM	4	RUBBER	BLUE
D	COVER	1	SUS	
C	CONTACT	1	SUS	Ag plated
B	TERMINAL	1	BRASS	Ag plated
A	BASE	1	PA6T	
NO.	DESCRIPTION	QTY	MATERIAL	PLATING



PCB LAYOUT



東莞市高迪電子有限公司
DONG GUAN GAO DI ELECTRONICS CO., LTD

TOLERANCE UNLESS OTHERWISE STATED

Up to 5 ±0.2
Above 5 ~ 15 ±0.3
Above 15 ~ 30 ±0.4
Above 30 ~ 50 ±0.5
Angle ±0.3°

3RD. ANGEL'S



UNITS MM

DRAWN BY:	DATE	MAT'L	TITLE	SWITCH
Jack Lu	05/22/19		MODLE	TACT SWITCH
CHECKED BY:	DATE	SCALE	DWG NO.	TS-A58x-x-S138
Jacky Chen	05/22/19	1 : 1	PART NO.	TS-A58x-x-S138
APPROVED BY:	DATE	SHEET NO.		
Tony Kao	05/22/19	1 of 1		

ITEM NO.	DESCRIPTION	DRAWN	DATE