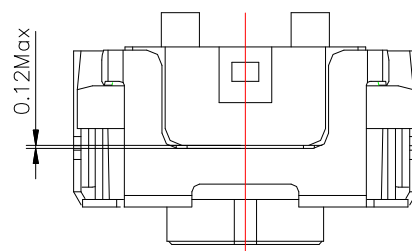
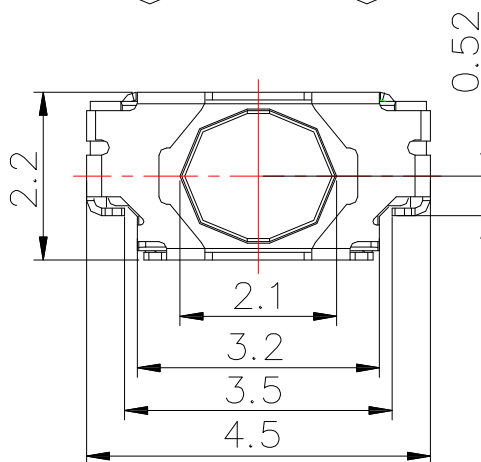


P.C.B LAYOUT



CIRCUIT DIAGRAM



SPECIFICATIONS

Rating	DC 12V 50mA
Contact Resistance	500mΩ Max.
Insulation Resistance	100MΩ
Dielectric Strength	AC 100V 1 minute
Operating Force	220 ± 70gf
Operating Life (cycles)	600,000

東莞市高迪電子有限公司
DONG GUAN GAO DI ELECTRONICS CO., LTD

TOLERANCE UNLESS OTHERWISE STATED:

Up to 5 ±0.2
Above 5 ~ 15 ±0.3
Above 15 ~ 30 ±0.4
Above 30 ~ 50 ±0.5
Angle ±0.3

3RD. ANGEL'S



UNITS MM

DRAWN BY: Jack Lu
CHECKED BY: Jacky Chen
APPROVED BY: Tony Kao

DATE: 05/23/18
DATE: 05/23/18
DATE: 05/23/18

MAT'L		TITLE	SWITCH
FINISH		MODLE	TACT SWITCH
SCALE	1 : 1	DWG NO.	TS-A35C-3-S138
SHEET NO.	1 of 1	PART NO.	TS-A35C-3-S138

SIZE A4
VER R

ITEM NO.	DESCRIPTION	DRAWN	DATE