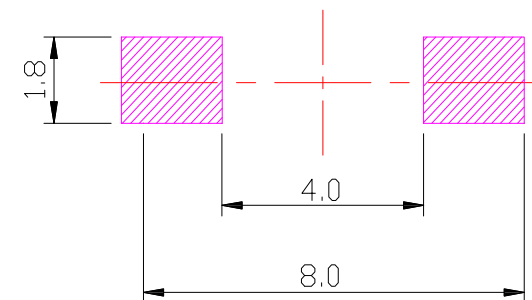
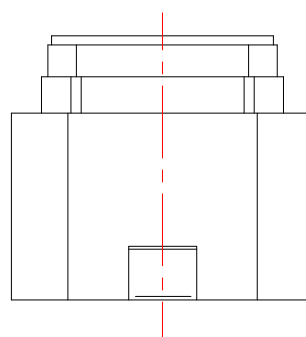
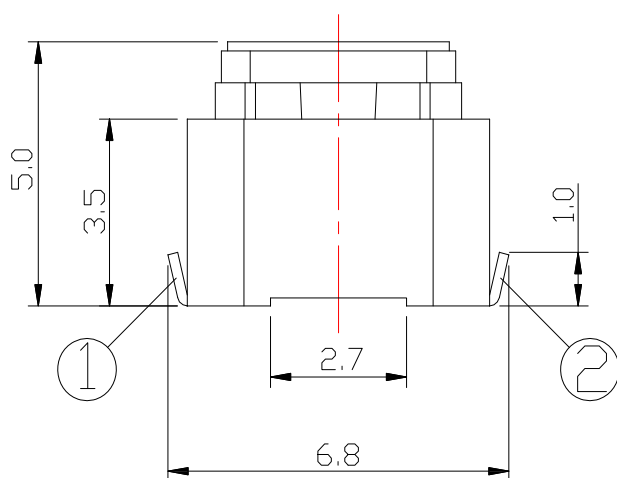


CIRCUIT DIAGRAM



P.C.B LAYOUT MOUNTING PATTERN



SPECIFICATIONS

Rating	DC 12V 50mA Max.							
Contact Resistance	100 mΩ Max.							
Travel	1.30± 0.1 mm							
Operating Force	1	120 ± 30gf	2	180 ± 50gf	3	250 ± 50gf	4	320 ± 50gf
Operating Life (cycles)	100,000				80,000			

東莞市高迪電子有限公司
DONG GUAN GAO DI ELECTRONICS CO., LTD

TOLERANCE UNLESS OTHERWISE STATED :
 Up to 5 ±0.2
 Above 5 ~ 15 ±0.3
 Above 15 ~ 30 ±0.4
 Above 30 ~ 50 ±0.5
 Angle ±0.3°

3RD. ANGEL'S



UNITS MM

DRAWN BY: Jack Lu
 CHECKED BY: Jacky Chen
 APPROVED BY: Tony Kao
 DATE: 09/26/18

MAT'L
 FINISH
 SCALE: 1 : 1
 SHEET NO.: 1 of 1
 TITLE: SWITCH
 MODLE: TACT SWITCH
 DWG NO.: TS-A32USA-x-S138
 PART NO.: TS-A32USA-x-S138
 SIZE: A4
 VER: R1

ITEM NO.	DESCRIPTION	DRAWN	DATE
1	新增 Operating Force: 320 ± 50gf	Jack	092618