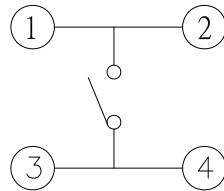
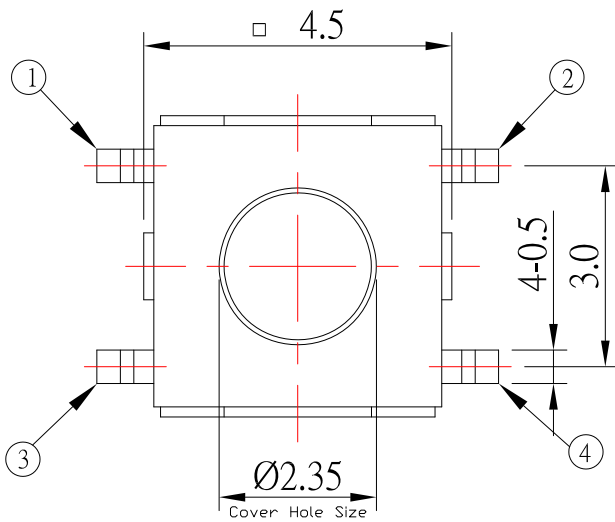


P.C.B LAYOUT



CIRCUIT DIAGRAM

SPECIFICATIONS

Rating	DC 12V 50mA
Circuit	1C - 1P
Contact Resistance	100mΩ Max.
Travel	0.2 ± 0.1mm
Operating Force	2 160 ± 50gf 3 250 ± 50gf
Operating Life (cycles)	100,000

NO.	DESCRIPTION	QTY	MATERIAL	PLATING
E	TERMINAL	4	PHOSPHOR BRONZE	Ag plated
D	CONTACT	1	SUS	Ag plated
C	COVER	1	SUS	Ni plated
B	CASE	1	LCP	
A	STEM	1	LCP	

ITEM NO.	DESCRIPTION	DRAWN	DATE
3	更新樣式和新增材質表	Jack	102424
2	更新樣式	Jack	011218
1	更新圖面	Jack	080315



TOLERANCE UNLESS OTHERWISE STATED :
 Up to 5 ±0.2
 Above 5 ~ 15 ±0.3
 Above 15 ~ 30 ±0.4
 Above 30 ~ 50 ±0.5
 Angle ±0.3

DRAWN BY:	DATE	MAT'L	TITLE	SWITCH
Jack Lu	10/24/24	FINISH	MODLE	TACT SWITCH
CHECKED BY:	DATE	SCALE	DWG NO.	TS-A27-x-S126
Jacky Chen	10/24/24	1 : 1	PART NO.	TS-A27-x-S126
APPROVED BY:	DATE	SHEET NO.	1 of 1	
Tony Kao	10/24/24			

SIZE	A4
VER	R3