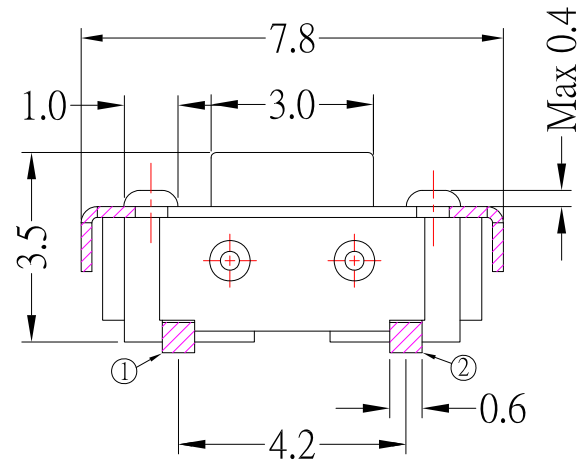
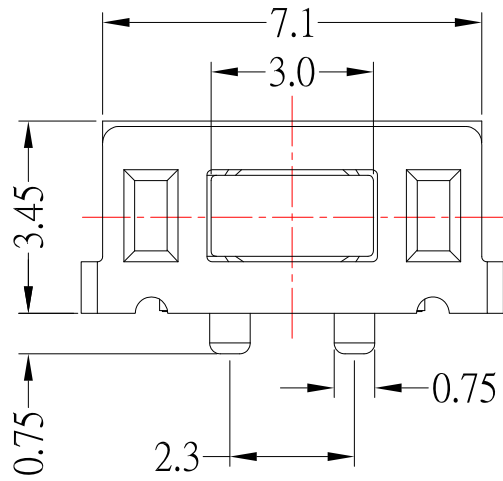
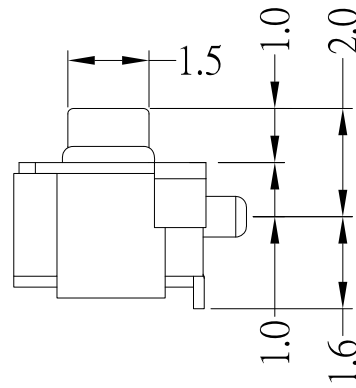
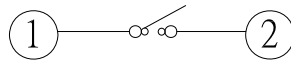


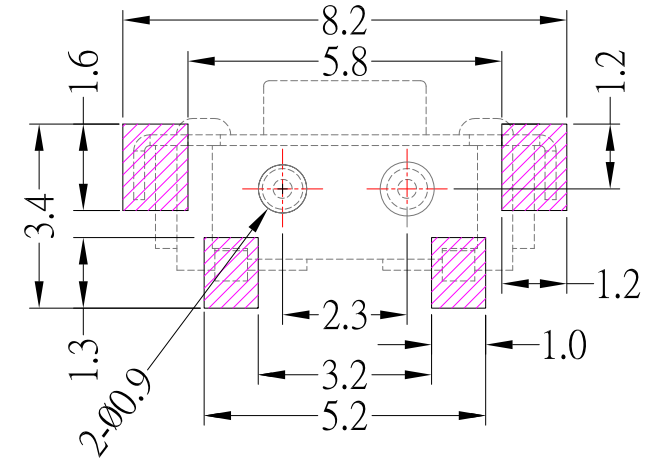
DIMENSIONS



CIRCUIT DIAGRAM



P.C.B MOUNTING PATTERN DIMENSION



SPECIFICATIONS

Rating	DC 12V 50mA Max.							
Circuit	1C - 1P							
Contact Resistance	100mΩ Max.							
Travel	0.25 ± 0.1mm							
Operating Force	0	100 ± 30gf	1	130 ± 30gf	2	160 ± 50gf	3	250 ± 50gf
Operating Life (cycles)	50,000				30,000			

3	更新為A0版	Jack	081815
2	新增OF選項	Jack	080613
1	圖面更新	FrankWu	022412
ITEM NO.	DESCRIPTION	DRAWN	DATE

東莞市高迪電子有限公司
DONG GUAN GAO DI ELECTRONICS CO., LTD

TOLERANCE UNLESS OTHERWISE STATED :
 Up to 5 ±0.2
 Above 5 ~ 15 ±0.3
 Above 15 ~ 30 ±0.4
 Above 30 ~ 50 ±0.5
 Angle ±0.3

3RD. ANGEL'S

UNITS MM

DRAWN BY:	DATE	MAT'L	TITLE	SWITCH
Jack Lu	08/18/15			
CHECKED BY:	DATE	FINISH	MODLE	TACT SWITCH
Jacky Chen	08/18/15			
APPROVED BY:	DATE	SCALE	DWG NO.	TS-A12E-x-S126
Tony Kao	08/18/15	1 : 1		
		SHEET NO.	PART NO.	TS-A12E-x-S126
		1 of 1		
				SIZE A4
				VER A0