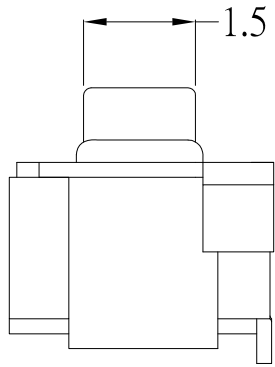
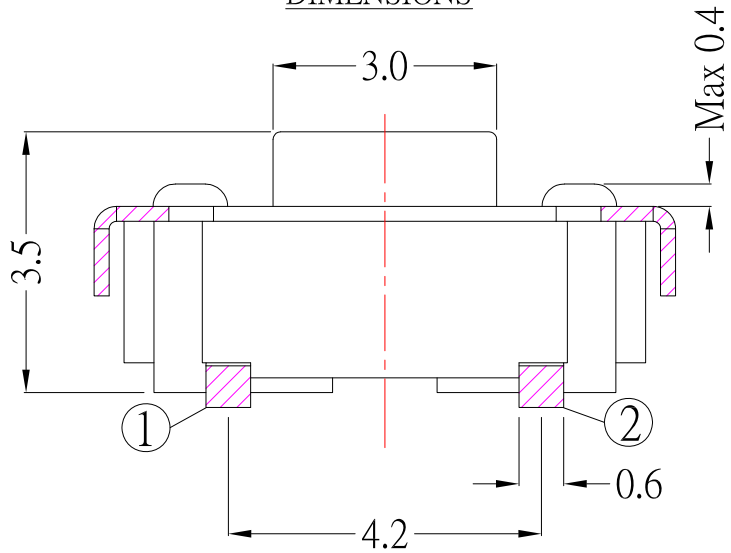
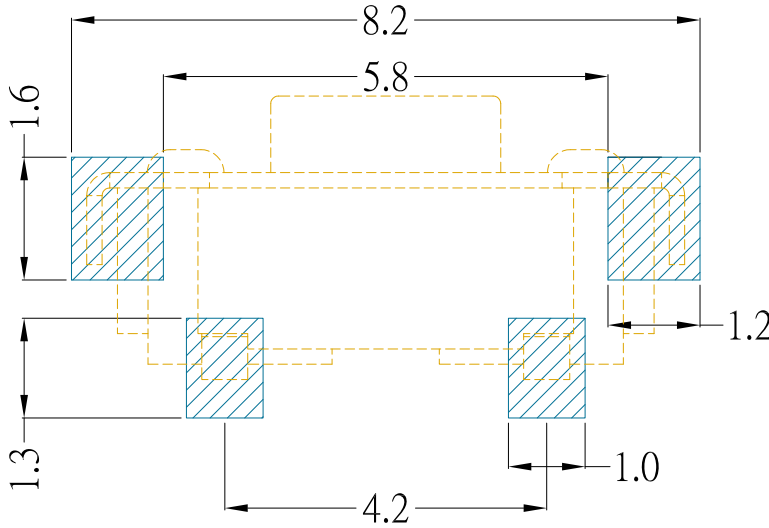




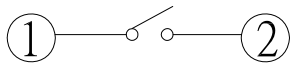
DIMENSIONS



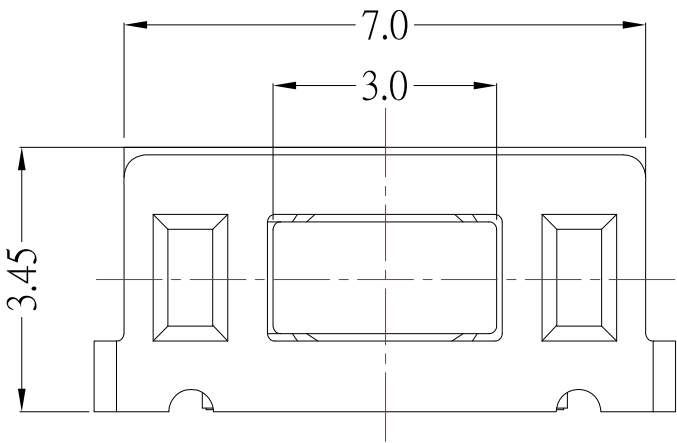
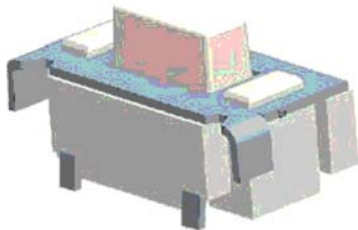
P.C.B. LAYOUT MOUNTING PATTERN



CIRCUIT DIAGRAM



PRODUCT IMAGE



SPECIFICATIONS

Rating	DC 12V 50mA Max.			
Contact Resistance	100mΩ Max.			
Travel	0.25 ± 0.1mm			
Operating Force	2	160 ± 30gf	3	250 ± 50gf
Operating Life (cycles)	50,000		30,000	

東莞市高迪電子有限公司  
DONG GUAN GAO DI ELECTRONICS CO., LTD

TOLERANCE UNLESS OTHERWISE STATED:  
Up to 5 ±0.2  
Above 5 ~ 15 ±0.3  
Above 15 ~ 30 ±0.4  
Above 30 ~ 50 ±0.5  
Angle ±0.3

3RD. ANGEL'S



UNITS MM

DRAWN BY: Frank Wu  
CHECKED BY: Jacky Chen  
APPROVED BY: Tony Kao  
DATE: 02/24/12

MAT'L  
FINISH  
SCALE: 1 : 1  
SHEET NO.: 1 of 1  
TITLE: SWITCH  
MODLE: TACT SWITCH  
DWG NO.: TS-A12-x-S126  
PART NO.: TS-A12-x-S126

SIZE: A4  
VER: A

ITEM NO.	DESCRIPTION	DRAWN	DATE