

PCB LAYOUT



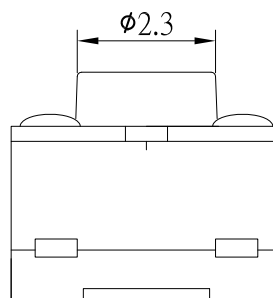
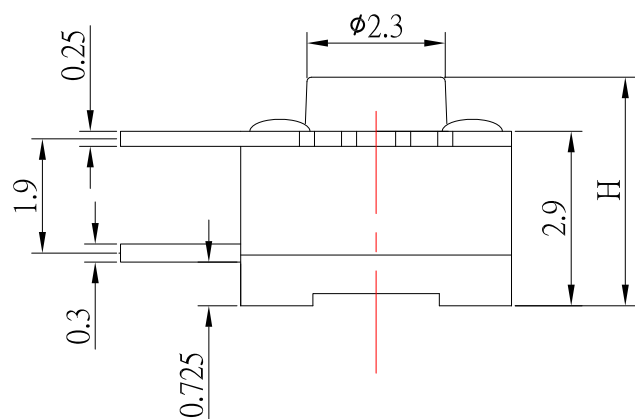
CIRCUIT DIAGRAM

HEIGHT

MODEL NO.	H(mm)
TS-A09V	3.8
TS-A09VA	4.3
TS-A09VB	4.8
TS-A09VC	5.0
TS-A09VD	6.0
TS-A09VE	7.0

SPECIFICATIONS

Rating	DC 12V 0.05A.			
Insulation Resistance	50 MΩ Min.			
Contact Resistance	100 mΩ Max.			
Operating Force	2	160 ± 50gf	3	260 ± 50gf
Operating Life (cycles)	80,000			
Travel	0.15 ± 0.1mm			



NO.	DESCRIPTION	QTY	MATERIAL	PLATING
E	TERMINAL	2	BRASS	Ag plated
D	CONTACT	1	SUS	Ag plated
C	COVER	1	BRASS	Ag plated
B	BASE	1	PA6T	Black
A	STEM	1	PA46	Black

5	更新材質	Jack	082223
4	更新樣式	Lan	042319
3	更新尺寸	Jack	010516
2	新增尺寸及PIN腳標示	Jack	021015
1	新增Travel	Jack	103114
ITEM NO.	DESCRIPTION	DRAWN	DATE

東莞市高迪電子有限公司  
DONG GUAN GAO DI ELECTRONICS CO., LTD

TOLERANCE UNLESS OTHERWISE STATED:  
 Up to 5 ±0.2  
 Above 5 ~ 15 ±0.3  
 Above 15 ~ 30 ±0.4  
 Above 30 ~ 50 ±0.5  
 Angle ±0.3°

3RD. ANGEL'S UNITS MM

DRAWN BY:	DATE	MAT'L	TITLE	SWITCH
Jack Lu	08/22/23			
CHECKED BY:	DATE	FINISH	MODLE	TACT SWITCH
Jacky Chen	08/22/23			
APPROVED BY:	DATE	SCALE	DWG NO.	TS-A09Vx-x-S246
Tony Kao	08/22/23	1 : 1		
		SHEET NO.	PART NO.	TS-A09Vx-x-S246
		1 of 1		
				SIZE A4
				VER R5