

P.C.B LAYOUT  
MOUNTING PATTERN

### TS-A09Sx-xx-S126

MODEL NO	Knob (L)
TS-A09S	3.8
TS-A09SA	7.0
TS-A09SB	4.8
TS-A09SC	5.0

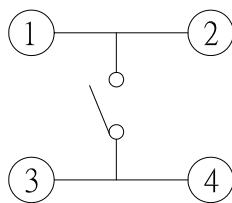
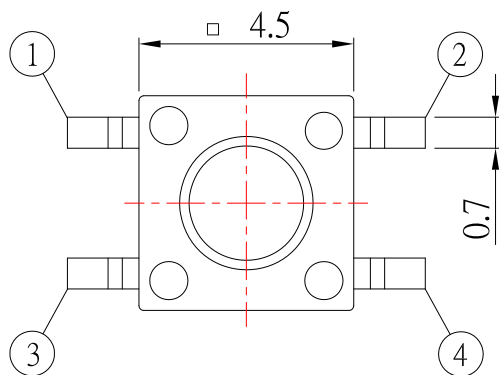
Knob Color :

Black: Blank  
Green : GR

Operating Force

### SPECIFICATIONS

Rating	DC 12V 50mA Max.										
Contact Resistance	100mΩ Max.										
Travel	0.2 ± 0.1mm										
Operating Force	0	100 ± 30gf	1	130 ± 30gf	2	160 ± 50gf	3	250 ± 50gf	4	320 ± 50gf	
Operating Life (cycles)	100,000							80,000			



CIRCUIT DIAGRAM

NO.	DESCRIPTION	QTY	MATERIAL	PLATING
E	TERMINAL	4	BRASS	Ag plated
D	CONTACT	1	SUS	Ag plated
C	COVER	1	BRASS	Ni plated
B	CASE	1	PA6T	
A	STEM	1	PA6T	

8	更新Travel	Jack	081622
7	更新材質	Jack	090621
6	新增材質表	Jack	080520
5	更新選項代碼	Jack	022020
4	新增選項	Jack	072319
3	更新圖面上的3D圖	LAN	042919
2	新增Operating Force:320± 50gf	Jack	081015
1	新增Operating Force:100± 30gf	Jack	031714
ITEM NO.	DESCRIPTION	DRAWN	DATE

東莞市高迪電子有限公司  
DONG GUAN GAO DI ELECTRONICS CO., LTD

TOLERANCE UNLESS OTHERWISE STATED:  
Up to 5 ±0.2  
Above 5 ~ 15 ±0.3  
Above 15 ~ 30 ±0.4  
Above 30 ~ 50 ±0.5  
Angle ±0.3°

3RD. ANGE L'S

UNITS MM

DRAWN BY:	DATE	MAT'L	TITLE	SWITCH
Jack Lu	08/16/22		MODLE	TACT SWITCH
CHECKED BY:	DATE	FINISH	SCALE	1 : 1
Jacky Chen	08/16/22		DWG NO.	TS-A09Sx-xx-S126
APPROVED BY:	DATE	SHEET NO.	PART NO.	TS-A09Sx-xx-S126
Tony Kao	08/16/22	1 of 1	SIZE	A4
			VER	R8