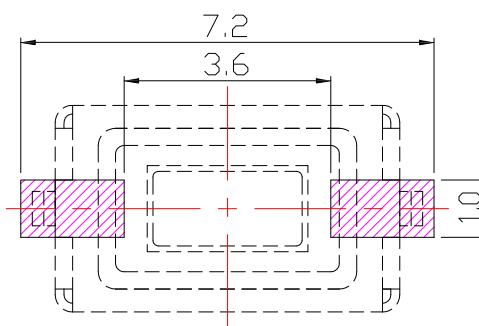
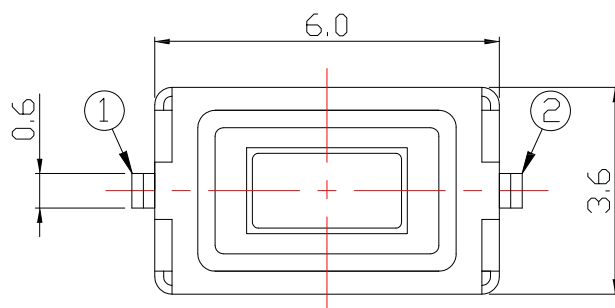


CIRCUIT DIAGRAM



P.C.B MOUNTING PATTERN DIMENSION

SPECIFICATIONS

Rating	DC 12V 50mA Max.	
Circuit	1C - 1P	
Contact Resistance	100mΩ Max.	
Travel	0.25 ± 0.1mm	
Operating Force	2 160 ± 30gf	3 250 ± 50gf
Operating Life (cycles)	50,000	30,000
Knob / Case	White Color	

ITEM NO.	DESCRIPTION	DRAWN	DATE

東莞市高迪電子有限公司
DONG GUAN GAO DI ELECTRONICS CO., LTD

TOLERANCE UNLESS OTHERWISE STATED:
Up to 5 ±0.2
Above 5 ~ 15 ±0.3
Above 15 ~ 30 ±0.4
Above 30 ~ 50 ±0.5
Angle ±0.3°

3RD. ANGEL'S



UNITS MM

DRAWN BY:	DATE
Jack Lu	11/20/13
CHECKED BY:	DATE
Jacky Chen	11/20/13
APPROVED BY:	DATE
Tony Kao	11/20/13

MAT'L	TITLE	SWITCH
FINISH	MODLE	TACT SWITCH
SCALE	1 : 1	DWG NO. TS-A07GU-x-W-S126
SHEET NO.	1 of 1	PART NO. TS-A07GU-x-W-S126

SIZE	A4
VER	R