

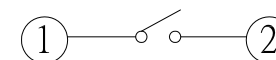
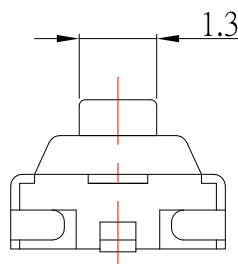
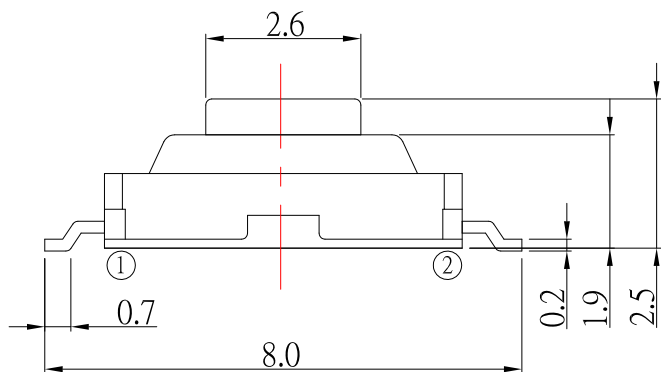


# TS-A07GS-x-x-S126

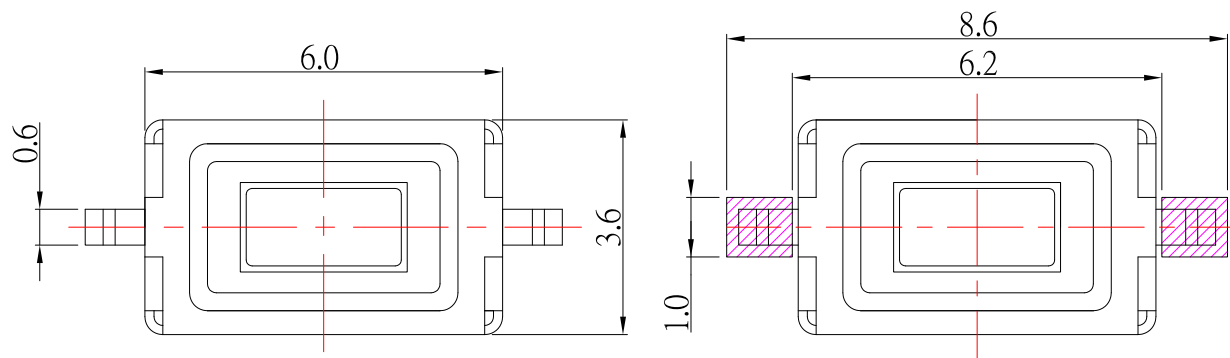
Operating Force

Color:

W	Case:White	Knob:White
R	Case:Black	Knob:Red



CIRCUIT DIAGRAM



## P.C.B MOUNTING PATTERN DIMENSION

The following soldering patterns are recommended for reflow soldering

## SPECIFICATIONS

Rating	DC 12V 50mA		
Contact Resistance	100mΩ Max.		
Travel	0.25 ± 0.1mm		
Operating Force	1   130±30gf	2   160±30gf	3   250±50gf
Operating Life(cycles)	50,000		30,000



TOLERANCE UNLESS OTHERWISE STATED:

Up to 5 ±0.2  
Above 5 ~ 15 ±0.3  
Above 15 ~ 30 ±0.4  
Above 30 ~ 50 ±0.5  
Angle ±0.3°

3RD. ANGEL'S



UNITS MM

DRAWN BY: Jack Lu  
CHECKED BY: Jacky Chen  
APPROVED BY: Tony Kao

DATE: 11/14/14  
DATE: 11/14/14  
DATE: 11/14/14

MAT'L  
FINISH  
SCALE: 1 : 1  
SHEET NO.: 1 of 1  
TITLE: SWITCH  
MODLE: TACT SWITCH  
DWG NO.: TS-A07GS-x-x-S126  
PART NO.: TS-A07GS-x-x-S126

SIZE: A4  
VER: R1

1	更新料號	Jack	111414
ITEM NO.	DESCRIPTION	DRAWN	DATE