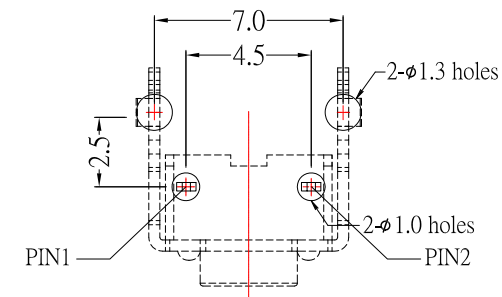


TS-A02Hx-x-x-S126

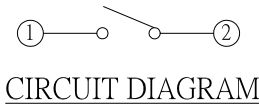
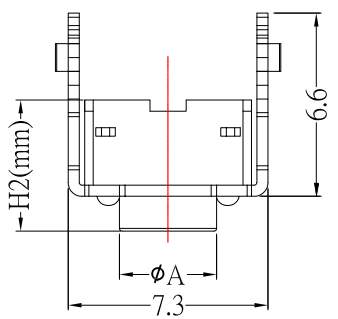
MODEL No \_\_\_\_\_ Knob Color :

Operating Force

Black: Blank
White : W
Red : R
Gray : GE



P.C.B LAYOUT MOUNTING PATTERN



SPECIFICATION

Rating	DC 12V 50mA Max.
Contact Resistance	100mΩ Max.
Travel	0.25 ± 0.1mm
Operating Force	1 130 ± 30gf 2 160 ± 50gf 3 250 ± 50gf
Operating Life (cycles)	100,000

E	TERMINAL	2	BRASS	Ag plated
D	CONTACT	1	PHOSPHOR BRONZE	Ag plated
C	COVER	1	SPCC	Tin plated
B	CASE	1	PA6T	
A	STEM	1	PA6T	
NO.	DESCRIPTION	QTY	MATERIAL	PLATING

MODEL NO.	TS-A02HV	TS-A02HVL	TS-A02HA	TS-A02HAL	TS-A02HQ	TS-A02HQL	TS-A02HB	TS-A02HE	TS-A02HR	TS-A02HC	TS-A02HCL	TS-A02HDS	TS-A02HD	TS-A02HY	TS-A02HYL	TS-A02HW	TS-A02HFL	TS-A02HF	TS-A02HK	TS-A02HG	TS-A02HOL	TS-A02HZ	TS-A02HZL	TS-A02HJ	TS-A02HH
H1 (mm)	3.15	3.35	3.85	4.35	4.85	5.35	5.85	6.15	6.35	6.85	7.35	7.85	8.35	8.85	9.35	9.85	10.85	11.35	11.85	12.35	13.35	13.85	14.85	15.15	15.85
H2 (mm)	4.30	4.50	5.00	5.50	6.00	6.50	7.00	7.30	7.50	8.00	8.50	9.00	9.50	10.00	10.50	11.00	12.00	12.50	13.00	13.50	14.50	15.00	16.00	16.30	17.00
φA (mm)	3.50	3.50	3.50	3.40	3.40	3.40	3.40	3.40	3.40	3.40	3.40	3.40	3.40	3.00	3.00	3.00	3.00	3.00	3.00	3.00	3.00	3.00	3.00	3.00	3.00

10	新增高度16選項	Jack	050415	14	新增高度4.5選項	Jack	062717	18	新增尺寸	Jack	101420
9	更新高度10.5選項代碼及新增高度13.85選項	Jack	122914	13	新增高度9和12選項	Jack	120616	17	新增材質表	Jack	080320
8	更新高度5.5選項代碼	Jack	122614	12	新增高度15.15選項	Jack	031416	16	新增PCB LAYOUT標示	Jack	092319
7	更新及新增高度的選項	Jack	070314	11	新增Gray : GE	Jack	090215	15	新增高度13.35選項	Jack	072419



TOLERANCE UNLESS OTHERWISE STATED :  
 Up to 5 ±0.2  
 Above 5 ~ 15 ±0.3  
 Above 15 ~ 30 ±0.4  
 Above 30 ~ 50 ±0.5  
 Angle ±0.3

3RD. ANGEL'S



UNITS

MM

DRAWN BY:	DATE	MAT'L	TITLE	SWITCH
Jack Lu	10/14/20			
CHECKED BY:	DATE	FINISH	MODLE	TACT SWITCH
Jacky Chen	10/14/20			
APPROVED BY:	DATE	SCALE	DWG NO.	TS-A02Hx-x-x-S126
Tony Kao	10/14/20	1 : 1		
		SHEET NO.	PART NO.	TS-A02Hx-x-x-S126
		1 of 1		
				SIZE A4
				VER A15