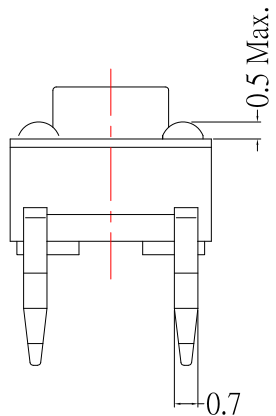
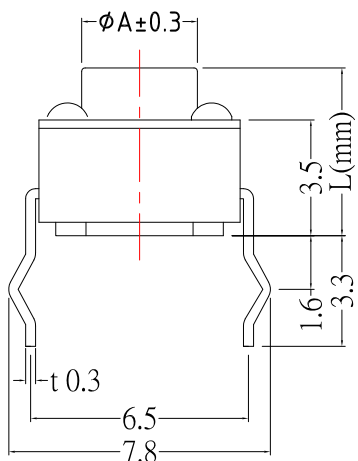
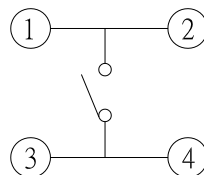


TS-A02x-xx-S126

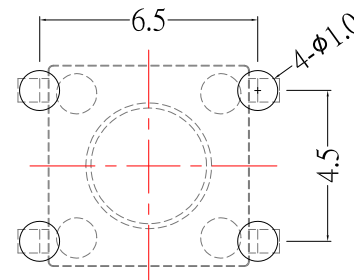


MODEL No _____ Knob Color :

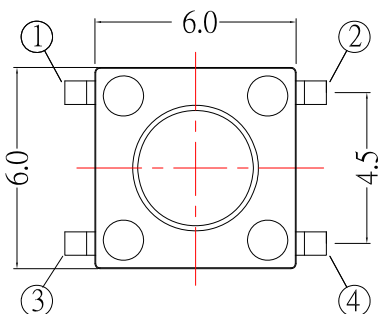
Black: Blank
Red : R
White : W



CIRCUIT DIAGRAM



PCB LAYOUT MOUNTING PATTERN



SPECIFICATIONS

Rating	DC 12V 50mA											
Contact Resistance	100mΩ Max.											
Travel	0.25 ± 0.1mm											
Operating Force	0	100±30gf	1	130±30gf	2	160±50gf	3	250±50gf	4	320±50gf	5	500±50gf
Operating Life(cycles)	100,000					80,000			50,000			

E	TERMINAL	4	BRASS	Ag plated
D	CONTACT	1	PHOSPHOR BRONZE	Ag plated
C	COVER	1	BRASS	Ni plated
B	CASE	1	PA6T	
A	STEM	1	PA6T	
NO.	DESCRIPTION	QTY	MATERIAL	PLATING

MODEL NO.	TS-A02	TS-A02A	TS-A02AL	TS-A02Q	TS-A02QL	TS-A02B	TS-A02E	TS-A02R	TS-A02C	TS-A02CL	TS-A02DL	TS-A02D	TS-A02Y	TS-A02YL	TS-A02W	TS-A02WL	TS-A02FL	TS-A02F	TS-A02K	TS-A02G	TS-A02O	TS-A02OL	TS-A02Z	TS-A02ZL	TS-A02H
L (mm)	4.30	5.00	5.50	6.00	6.50	7.00	7.30	7.50	8.00	8.50	9.00	9.50	10.00	10.50	11.00	11.50	12.00	12.50	13.00	13.50	14.00	14.50	15.00	16.00	17.00
φA (mm)	3.50	3.50	3.40	3.40	3.40	3.40	3.40	3.40	3.40	3.40	3.40	3.40	3.00	3.00	3.00	3.00	3.00	3.00	3.00	3.00	3.00	3.00	3.00	3.00	3.00



TOLERANCE UNLESS OTHERWISE STATED :

Up to 5	± 0.2
Above 5 ~ 15	± 0.3
Above 15 ~ 30	± 0.4
Above 30 ~ 50	± 0.5
Angle	± 0.3°

3RD. ANGEL'S



UNITS MM

DRAWN BY:	DATE	MAT'L	TITLE	SWITCH
Jack Lu	08/13/24	FINISH	MODLE	TACT SWITCH
CHECKED BY:	DATE	SCALE	DWG NO.	TS-A02x-xx-S126
Jacky Chen	08/13/24	1 : 1	PART NO.	TS-A02x-xx-S126
APPROVED BY:	DATE	SHEET NO.	1 of 1	
Tony Kao	08/13/24			

19	更新COVER鍍層	Jack	081324
18	新增白色顏色選項	Jack	123022
17	新增材質表	Jack	080420
ITEM NO.	DESCRIPTION	DRAWN	DATE