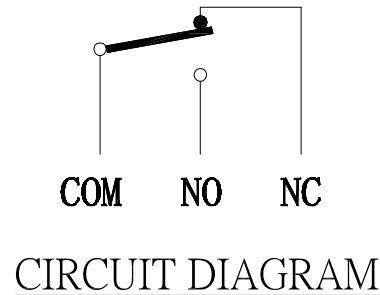
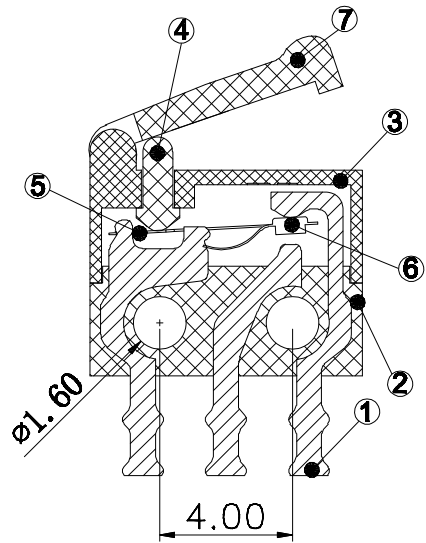


P.C.B LAYOUT

SPECIFICATIONS

Rating	DC 30V, 0.1A.
Contact Resistance	100mΩ Max.
Insulation Resistance	50MΩ Min.
Operating Force	30±10 gf
Mechanical Life	20,000 cycles



NO	NAME	MATERIAL	QTY	FINISHING
7	GUIDANCE PLATE	PA66	1	BLACK
6	CONTACT	COPPER ALLOY	1	Ag PLATED
5	SHRAPNEL	BeCu	1	Ag PLATED
4	KNOB	PA66	1	GRAY
3	COVER	PA66	1	BLACK
2	BASE	PA66	1	BLACK
1	TERMINAL	BRASS	3	Ag PLATED

東莞市高迪電子有限公司
DONG GUAN GAO DI ELECTRONICS CO., LTD

TOLERANCE UNLESS OTHERWISE STATED:
 Up to 5 ±0.2
 Above 5 ~ 15 ±0.3
 Above 15 ~ 30 ±0.4
 Above 30 ~ 50 ±0.5
 Angle ±0.3

3RD. ANGEL'S

UNITS MM

DRAWN BY:	DATE	MAT'L	TITLE	SWITCH
Jack Lu	08/26/20		MODLE	MICRO SWITCH
CHECKED BY:	DATE	FINISH	SCALE	1 : 1
Jacky Chen	08/26/20		DWG NO.	SSM-001R-S379
APPROVED BY:	DATE	SHEET NO.	PART NO.	SSM-001R-S379
Tony Kao	08/26/20	1 of 1		

ITEM NO.	DESCRIPTION	DRAWN	DATE