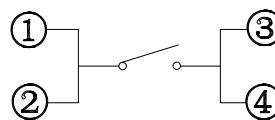
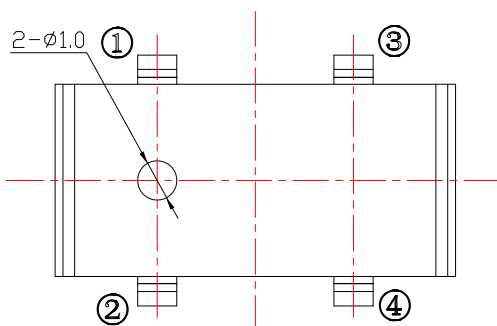


### MOUNTING HOLES

### SPECIFICATION

1. RATING : DC12V, 0.1A ;
2. CONTACT RESISTANCE :  $\leq 100\text{m}\Omega$  ;
3. INSULATION RESISTANCE :  $\geq 100\text{M}\Omega$  ;
4. OPERATING TEMPERATURE :  $-25^{\circ}\text{C} \sim +80^{\circ}\text{C}$  ;
5. HUMIDITY APPLICATION :  $< 85\% \text{ RH}$  ;
6. OPERATING FORCE :  $40 \pm 15\text{gf}$  ;
7. LIFE : 50,000 CYCLES ;



### SCHEMATIC

⑤	Terminal	4	BRASS	Ag Plating
④	Base	1	NYLON	Black
③	Contact	1	PHOSPHOR BRONZE	Ag Plating
②	Cover	1	POM	Black
①	Button	1	POM	Black
ITEM	PART NAME	QTY	MATERIAL	FINISHING

東莞市高迪電子有限公司  
DONG GUAN GAO DI ELECTRONICS CO., LTD

TOLERANCE UNLESS OTHERWISE STATED:  
 Up to 5 ±0.2  
 Above 5 ~ 15 ±0.3  
 Above 15 ~ 30 ±0.4  
 Above 30 ~ 50 ±0.5  
 Angle ±0.3

3RD. ANGEL'S

UNITS MM

DRAWN BY:	DATE	MAT'L	TITLE	SWITCH
Jack Lu	03/19/20	FINISH	MODLE	DETECTOR SWITCH
CHECKED BY:	DATE	SCALE	DWG NO.	RM021-01C-S379
Jacky Chen	03/19/20	SHEET NO.	PART NO.	RM021-01C-S379
APPROVED BY:	DATE			
Tony Kao	03/19/20			

ITEM NO.	DESCRIPTION	DRAWN	DATE