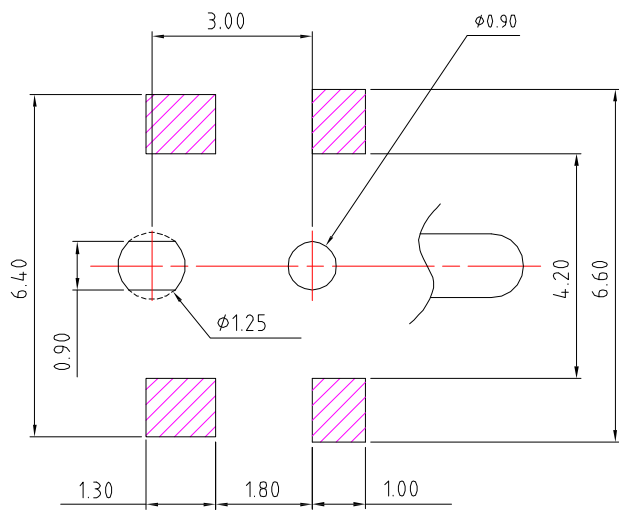
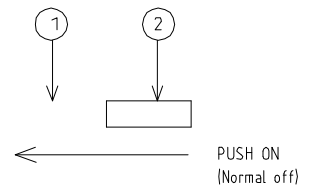


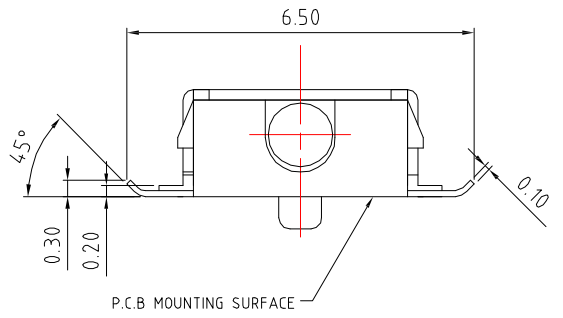
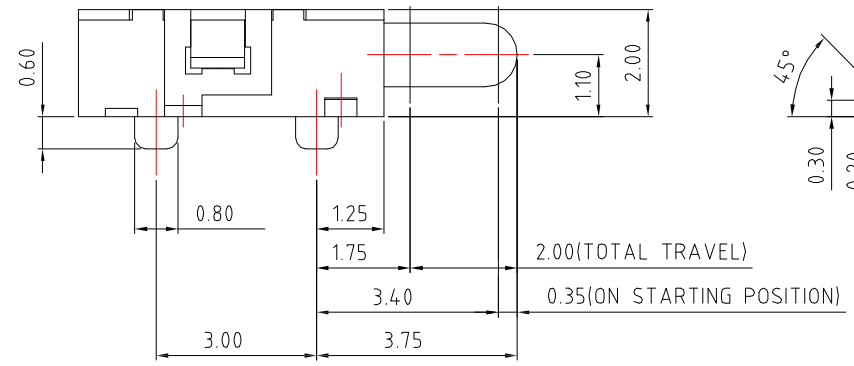
SOLDER LAND DIMENSIONS  
(VIEWED FROM THE DIRECTION "A")



CIRCUIT DIAGRAM(NORMAL)



A  
↓



NOTE

- 1.RATING : DC 12V, 100mA(REISTIVE LOAD)
- 2.OPERATING FORCE : 70gf MAX
- 3.LIFE CYCLE : 50,000 CYCLES
- 4.COLOR : CASE, ACTUATOR - BLACK

東莞市高迪電子有限公司  
DONG GUAN GAO DI ELECTRONICS CO., LTD

TOLERANCE UNLESS OTHERWISE STATED :  
Up to 5 ±0.2  
Above 5 ~ 15 ±0.3  
Above 15 ~ 30 ±0.4  
Above 30 ~ 50 ±0.5  
Angle ±0.3

3RD. ANGEL'S

UNITS MM

DRAWN BY: Jack Lu  
CHECKED BY: Jacky Chen  
APPROVED BY: Tony Kao

DATE: 07/22/13  
DATE: 07/22/13  
DATE: 07/22/13

MAT'L		TITLE	SWITCH
FINISH		MODLE	DECTECTOR SWITCH
SCALE	1 : 1	DWG NO.	DS-B50
SHEET NO.	1 of 1	PART NO.	DS-B50
		SIZE	A4
		VER	R1

1	更新OF	Jack	072213
ITEM NO.	DESCRIPTION	DRAWN	DATE