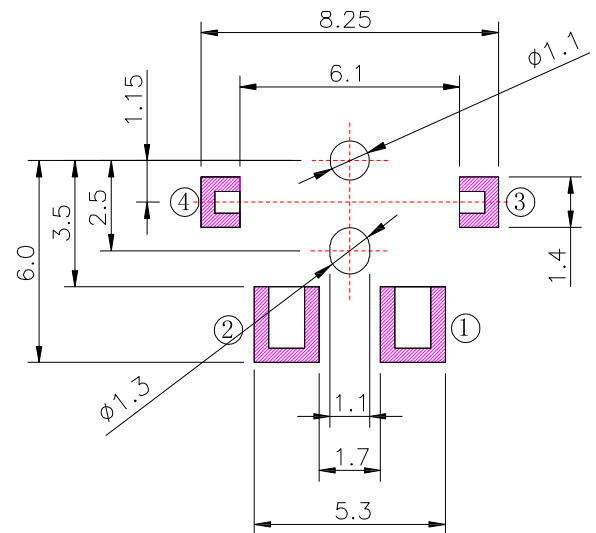
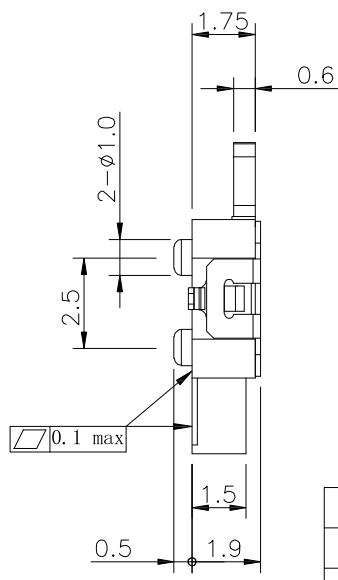
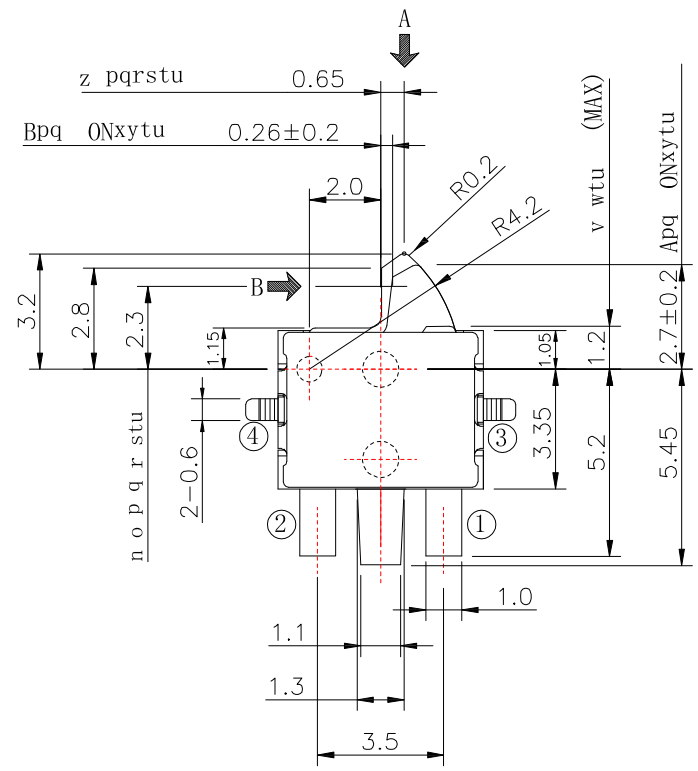


CIRCUIT DIAGRAM



P.C.B LAYOUT



SPECIFICATIONS

Rating	DC 12V, 0.1A.
Contact Resistance	100mΩ Max.
Insulation Resistance	100MΩ Min.
Operating Force	35±15 gf
Mechanical Life	50,000 cycles

5	CONTACT SPRING	PHOSPHOR BRONZE	1	
4	TERMINAL	BRASS	2	Ag PLATED
3	COVER	SUS	1	Ag PLATED
2	BASE	PA66	1	BLACK
1	KNOB	PA66	1	BLACK
NO	NAME	MATERIAL	QTY	FINISHING

東莞市高迪電子有限公司  
DONG GUAN GAO DI ELECTRONICS CO., LTD

TOLERANCE UNLESS OTHERWISE STATED:  
 Up to 5 ±0.2  
 Above 5 ~ 15 ±0.3  
 Above 15 ~ 30 ±0.4  
 Above 30 ~ 50 ±0.5  
 Angle ±0.3

3RD. ANGEL'S

UNITS MM

DRAWN BY:	DATE	MAT'L	TITLE	SWITCH
Jack Lu	05/13/24			
CHECKED BY:	DATE	FINISH	MODLE	DETECTOR SWITCH
Jacky Chen	05/13/24			
APPROVED BY:	DATE	SCALE	DWG NO.	DS-A60-GND-S379
Tony Kao	05/13/24	1 : 1	PART NO.	DS-A60-GND-S379
		SHEET NO.	1 of 1	
				SIZE A4
				VER R1

1	更新圖面	Jack	051324
ITEM NO	DESCRIPTION	DRAWN	DATE