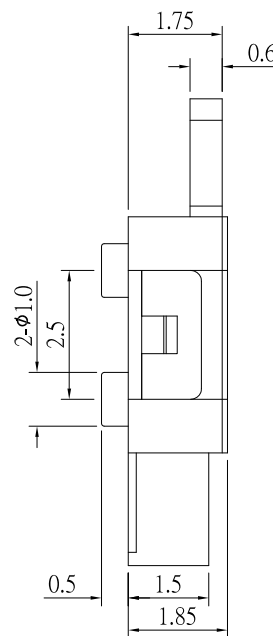
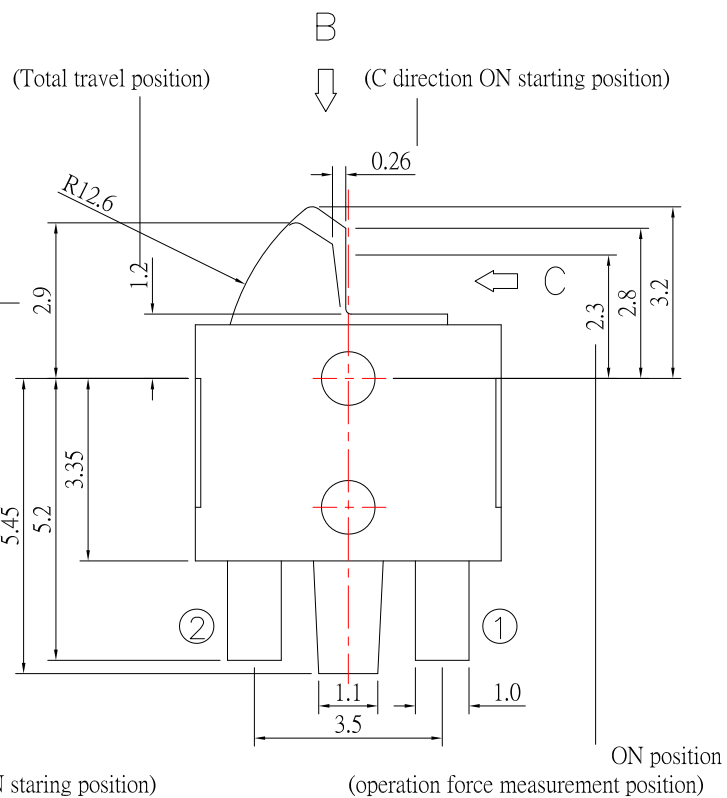
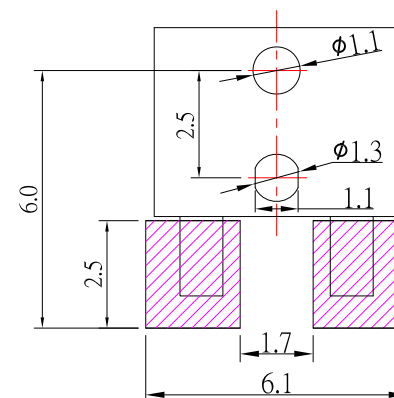
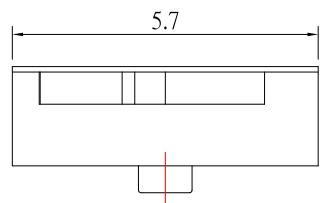




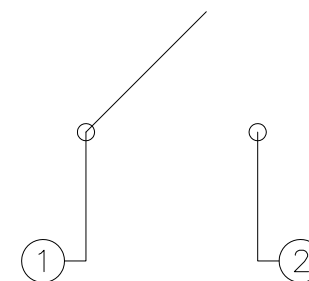
DIMENSIONS

PRODUCT IMAGE

P.C.B MOUNTING DIMENSIONS



CIRCUIT DIAGRAM



東莞市高迪電子有限公司
DONG GUAN GAO DI ELECTRONICS CO., LTD

TOLERANCE UNLESS OTHERWISE STATED:
Up to 5 ±0.2
Above 5 ~ 15 ±0.3
Above 15 ~ 30 ±0.4
Above 30 ~ 50 ±0.5
Angle ±0.3°

3RD. ANGEL'S UNITS MM

DRAWN BY:	DATE	MAT'L	TITLE	SWITCH
Frank Wu	10/28/11		MODLE	DETECTOR SWITCH
CHECKED BY:	DATE	FINISH	DWG NO.	DS-A60
Jacky Chen	10/28/11		PART NO.	DS-A60
APPROVED BY:	DATE	SCALE	1 : 1	
Tony Kao	10/28/11	SHEET NO.	1 of 1	
				SIZE A4
				VER B

ITEM NO.	DESCRIPTION	DRAWN	DATE