

P.C.B LAYOUT MOUNTING PATTERN

Type	Switch Action		Circuit
TP613A	Normal ON	Push to lock ON	
Connectong Terminal	1 - 2 4 - 5	2 - 3 5 - 6	
TP613B	Normal ON	Push (ON)	
Connectong Terminal	1 - 2 4 - 5	2 - 3 5 - 6	
LED Circuit			

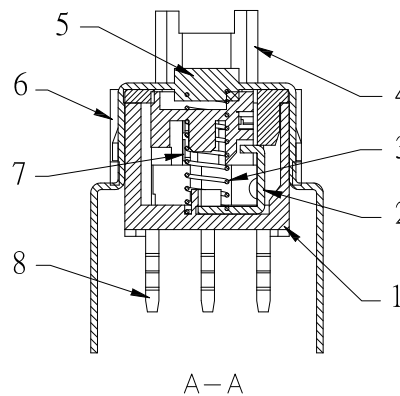
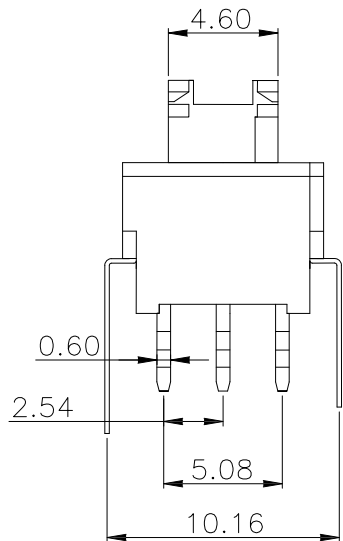
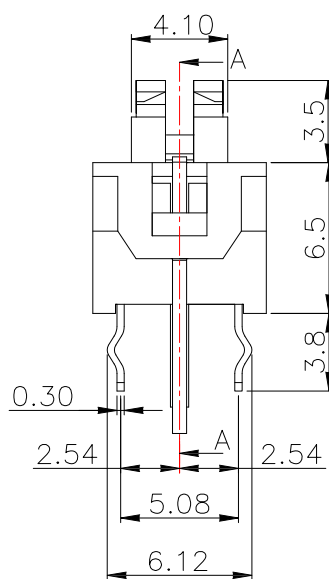
### PS-613AL-xx-S088

COLOR OF LED

COLOR OF LED

0	Without	1	Red
2	Green	3	Orange
4	Yellow	7	Blue
8	White		

0	Without	1	Red
2	Green	3	Orange
4	Yellow	7	Blue
8	White		



NO	DESCRIPTION	MATERIAL
1	BASE	PA66
2	CROCHET	SUS
3	SPRING	SUS
4	KNOB	PA66
5	LED	GaAsP/GaP
6	COVER	PA66
7	CONTACT	PBS Silver Clad
8	TERMINAL	C2680, Ag plated

東莞市高迪電子有限公司  
DONG GUAN GAO DI ELECTRONICS CO., LTD

TOLERANCE UNLESS OTHERWISE STATED:  
Up to 5 ±0.2  
Above 5 ~ 15 ±0.3  
Above 15 ~ 30 ±0.4  
Above 30 ~ 50 ±0.5  
Angle ±0.3°

3RD. ANGEL'S



UNITS MM

DRAWN BY: Jack Lu  
CHECKED BY: Jacky Chen  
APPROVED BY: Tony Kao

DATE: 02/23/17  
DATE: 02/23/17  
DATE: 02/23/17

MAT'L	TITLE	SWITCH
FINISH	MODLE	PUSH SWITCH
SCALE	DWG NO.	PS-613AL-xx-S088
SHEET NO.	PART NO.	PS-613AL-xx-S088
	SIZE	A4
	VER	R