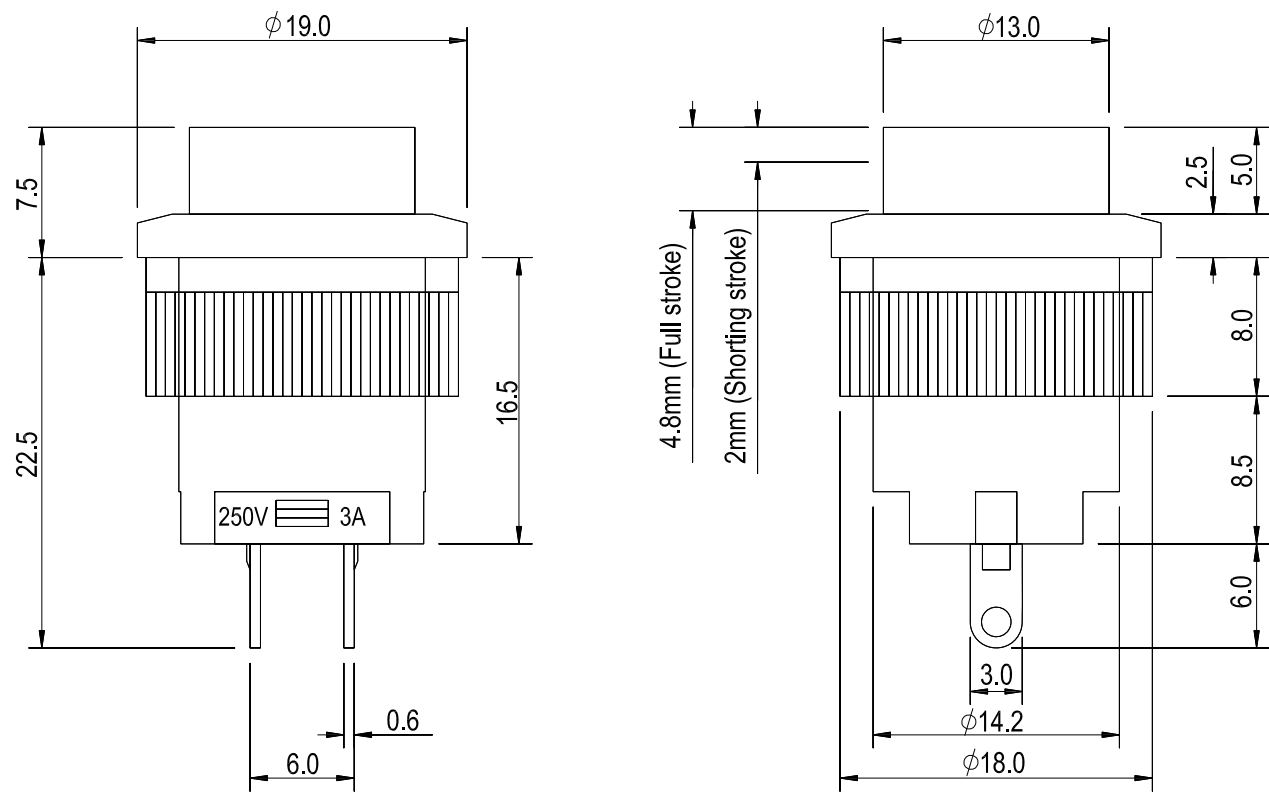


# PS-008x-R-S018

L: SELF-LOCK  
N: NON-LOCK



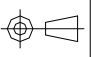
### SPECIFICATIONS

1. Rating: AC 250V , 3.0A
2. Contact Resistance: 30 mΩMax
3. Dielectric Withstanding Voltage: 500 V AC / 1 minute
4. Insulation Resistance: 100 MΩ Min
5. Operating Force : 100 ± 50gf
6. Life Cycle : 10,000 cycles

NO.	PART NAME	MATERIAL	QTY.
8	CONTACT	BRASS	1
7	SPRING	STAINLESS STEEL	2
6	NUTS	PA66	1
5	TERMINAL	BRASS	2
4	SLIDER	POM	1
3	BASE	PA66	1
2	CASE	PA66	1
1	KNOB	ABS	1

 東莞市高迪電子有限公司  
DONG GUAN GAO DI ELECTRONICS CO., LTD

TOLERANCE UNLESS OTHERWISE STATED:  
Up to 5 ±0.2  
Above 5 ~ 15 ±0.3  
Above 15 ~ 30 ±0.4  
Above 30 ~ 50 ±0.5  
Angle ±0.3°

3RD. ANGEL'S  UNITS MM

DRAWN BY: Jack Lu DATE: 06/13/17  
CHECKED BY: Jacky Chen DATE: 06/13/17  
APPROVED BY: Tony Kao DATE: 06/13/17

MAT'L	TITLE	SWITCH
FINISH	MODLE	PUSH SWITCH
SCALE: 1 : 1	DWG NO.	PS-008x-R-S018
SHEET NO. 1 of 1	PART NO.	PS-008x-R-S018

ITEM NO.	DESCRIPTION	DRAWN	DATE