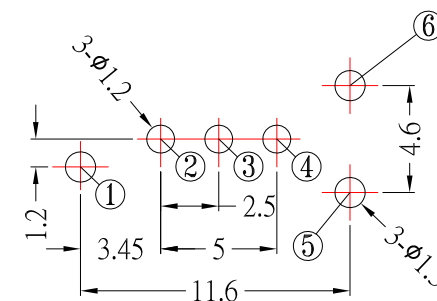
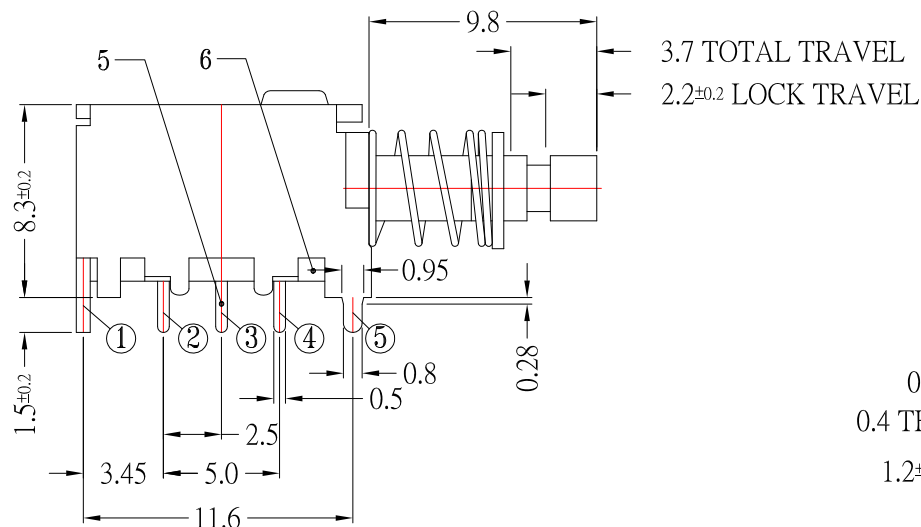


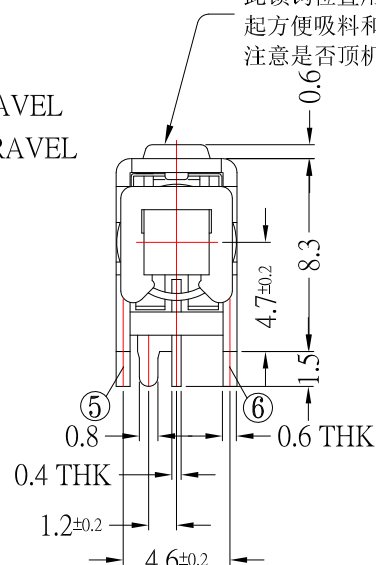
SCHEMATIC



P.C.B LAYOUT MOUNTING PATTERN
TOP VIEW



此锁钩位置用外壳凸包代替防尘片，
起方便吸料和避开锁钩的作用。
注意是否顶机壳。



SPECIFICATIONS

1. Rating : DC 12V, 2.0A
2. Circuit : 1P2T
3. Timing : Non-Shorting
4. Operating force : 350 ± 100gf
5. Life test : 10,000 cycles

NO.	DESCRIPTION	QTY	MATERIAL	PLATING
9	Contact Clip	1	PBS	Ag-Plating
8	Cam Stick	1	SUS	Ni-Plating
7	Spring Plate	1	PBS	Ni-Plating
6	Base	1	Phenolic Resin	Natural
5	Terminal	3	BRASS	Ni-Plating
4	Knob	1	LCP(Black)	
3	Block	1	Stainless Steel	Ni-Plating
2	Spring	1	Steel Wire	Ni-Plating
1	Frame	1	Stainless Steel	Ni-Plating



TOLERANCE UNLESS OTHERWISE STATED :
Up to 5 ±0.2
Above 5 ~ 15 ±0.3
Above 15 ~ 30 ±0.4
Above 30 ~ 50 ±0.5
Angle ±0.3

3RD. ANGEL'S

UNITS MM

DRAWN BY: Jack Lu
DATE: 04/24/23
CHECKED BY: Jacky Chen
DATE: 04/24/23
APPROVED BY: Tony Kao
DATE: 04/24/23

MAT'L	TITLE	SWITCH
FINISH	MODLE	PUSH SW 1P2T SMT TYPE 2A 12VDC
SCALE	1 : 1	DWG NO. PS-12E053S-B-S191
SHEET NO.	1 of 1	PART NO. PS-12E053S-B-S191

ITEM NO.	DESCRIPTION	DRAWN	DATE