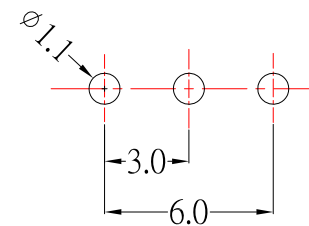
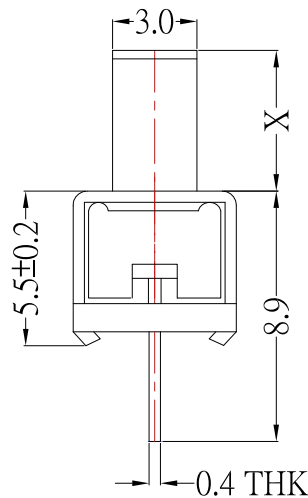
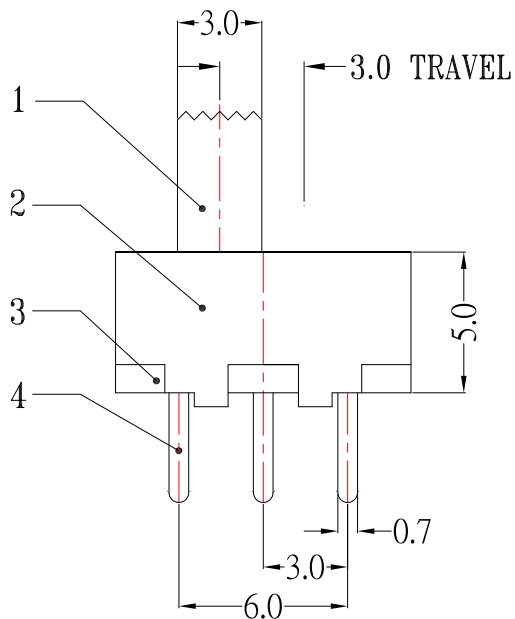


SCHEMATIC



P.C.B MOUNTING PATTERN



Model No.	X(mm)
SS-12F20-G2	2mm
SS-12F20-G3	3mm
SS-12F20-G4	4mm
SS-12F20-G5	5mm
SS-12F20-G6	6mm
SS-12F20-G7	7mm
SS-12F20-G8	8mm
SS-12F20-G9	9mm

SPECIFICATIONS

Rating	DC 50V 0.5A
Circuit	1P - 2T
Contact Resistance	200mΩ Max.
Insulation Resistance	100MΩ Min.
Operating Force	180gf ± 80gf
Operating Life (cycles)	10,000

NO.	DESCRIPTION	QTY	MATERIAL	REMARK
6	CONTACT	1	BRASS	Ag-Plated
5	SPRING	1	STEEL	Natural
4	TERMINAL	3	BRASS	Ag-Plated
3	BASE	1	PHENOLIC RESIN	Natural
2	FRAME	1	STEEL	Ni-Plated
1	KNOB	1	POM	Black

ITEM NO.	DESCRIPTION	DRAWN	DATE
3	更新FRAME鍍層	Jack	072922
2	更新圖面	Jack	012519
1	新增SPEC	Jack	112014

東莞市高迪電子有限公司  
DONG GUAN GAO DI ELECTRONICS CO., LTD

TOLERANCE UNLESS OTHERWISE STATED

Up to 5	±0.2
Above 5 ~ 15	±0.3
Above 15 ~ 30	±0.4
Above 30 ~ 50	±0.5
Angle	±0.3°

3RD. ANGEL'S UNITS MM

DRAWN BY:	DATE	MAT'L	TITLE	SWITCH
Jack Lu	07/29/22		MODLE	SLIDE SWITCH
CHECKED BY:	DATE	FINISH	SCALE	1 : 1
Jacky Chen	07/29/22		DWG NO.	SS-12F20-Gx-S191
APPROVED BY:	DATE	SHEET NO.	PART NO.	SS-12F20-Gx-S191
Tony Kao	07/29/22	1 of 1		