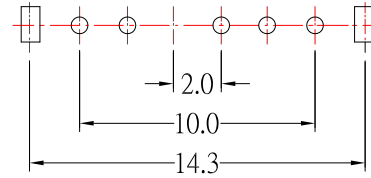


SCHEMATIC (SHORTING)

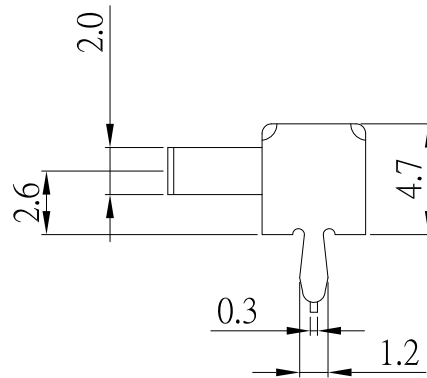
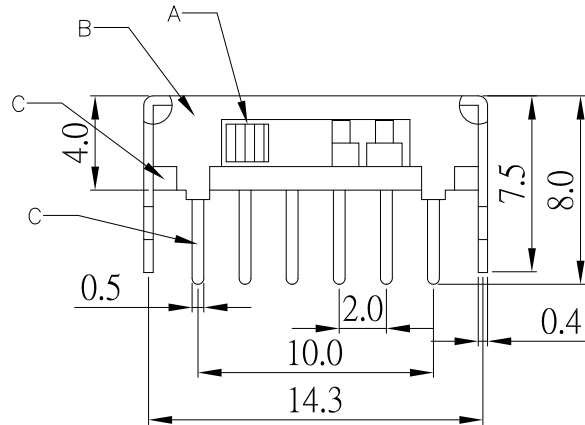


P.C.B MOUNTING PATTERN

| Model No.   | X (mm) |
|-------------|--------|
| SK-14D01-G2 | 2.0    |
| SK-14D01-G3 | 3.0    |
| SK-14D01-G4 | 4.0    |
| SK-14D01-G5 | 5.0    |
| SK-14D01-G6 | 6.0    |
| SK-14D01-G7 | 7.0    |
| SK-14D01-G8 | 8.0    |
| SK-14D01-G9 | 9.0    |

SPECIFICATIONS

|                         |              |
|-------------------------|--------------|
| Rating                  | DC 50V 0.3A  |
| Circuit                 | 1P - 4T      |
| Timing                  | Shorting     |
| Contact Resistance      | 200mΩ Max.   |
| Insulation Resistance   | 100MΩ Min.   |
| Operating Force         | 250gf ±100gf |
| Operating Life (cycles) | 10,000       |



| NO. | PART           | MATERIAL        | QAY | REMARKS       |
|-----|----------------|-----------------|-----|---------------|
| A   | KNOB           | POM             | 1   | BLACK         |
| B   | FRAME          | SPCC            | 1   | NICKEL PLATED |
| C   | TERMINAL BASE  | PHENOLIC RESIN  | 1   | NATURAL       |
| D   | TERMINAL       | BRASS STRIP     | 6   | SILVER PLATED |
| E   | SPRING         | STAINLESS STEEL | 1   |               |
| F   | CONTACT (CLIP) | PBS             | 1   | SILVER PLATED |



TOLERANCE UNLESS OTHERWISE STATED :  
 Up to 5 ±0.2  
 Above 5 ~ 15 ±0.3  
 Above 15 ~ 30 ±0.4  
 Above 30 ~ 50 ±0.5  
 Angle ±0.3°

3RD. ANGEL'S



UNITS MM

|              |          |           |          |                  |
|--------------|----------|-----------|----------|------------------|
| DRAWN BY:    | DATE     | MAT'L     | TITLE    | SWITCH           |
| Jack Lu      | 11/19/14 |           |          |                  |
| CHECKED BY:  | DATE     | FINISH    | MODLE    | SLIDE SWITCH     |
| Jacky Chen   | 11/19/14 |           |          |                  |
| APPROVED BY: | DATE     | SCALE     | DWG NO.  | SK-14D01-Gx-S191 |
| Tony Kao     | 11/19/14 | 1 : 1     |          |                  |
|              |          | SHEET NO. | PART NO. | SK-14D01-Gx-S191 |
|              |          | 1 of 1    |          |                  |
|              |          |           |          | SIZE A4          |
|              |          |           |          | VER R2           |

| ITEM NO. | DESCRIPTION | DRAWN | DATE   |
|----------|-------------|-------|--------|
| 1        | 新增SPEC      | Jack  | 111914 |
| 1        | 更新材質        | Jack  | 060313 |