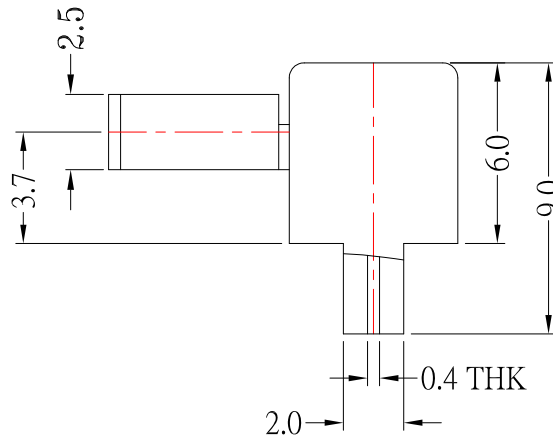
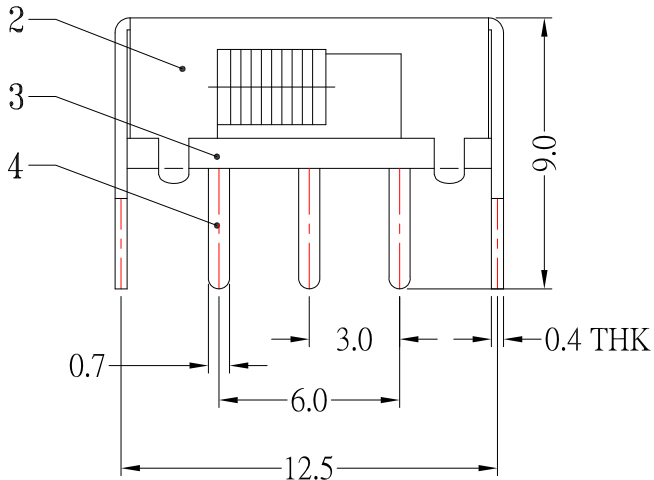


MODEL NO.	X(mm)
SK-12E14-G2-S191	2mm
SK-12E14-G3-S191	3mm
SK-12E14-G4-S191	4mm
SK-12E14-G5-S191	5mm
SK-12E14-G6-S191	6mm
SK-12E14-G7-S191	7mm
SK-12E14-G8-S191	8mm
SK-12E14-G9-S191	9mm



SPECIFICATIONS

Rating	DC 50V 0.5A
Circuit	1P - 2T
Timing	Non - Shorting
Contact Resistance	200mΩ Max.
Insulation Resistance	100MΩ Min.
Operating Force	200gf ±80gf
Operating Life (cycle)	10,000 Min.

NO.	DESCRIPTION	QTY	MATERIAL	PLATING
6	Spring	1	Stainless Steel	Natural
5	Contact	1	Brass	Ag-Plating
4	Terminal	3	Brass	Ag-Plating
3	Base	1	Phenolic Resin	Natural
2	Frame	1	SPCC	Ni-Plating
1	Knob	1	POM	Black

東莞市高迪電子有限公司
DONG GUAN GAO DI ELECTRONICS CO., LTD

TOLERANCE UNLESS OTHERWISE STATED:
 Up to 5 ±0.2
 Above 5 - 15 ±0.3
 Above 15 - 30 ±0.4
 Above 30 - 50 ±0.5
 Angle ±0.3°

3RD. ANGEL'S



UNITS MM

DRAWN BY: Jack Lu
 CHECKED BY: Jacky Chen
 APPROVED BY: Tony Kao

DATE: 03/05/15
 DATE: 03/05/15
 DATE: 03/05/15

MAT'L: TITLE: SWITCH
 FINISH: MODLE: SLIDE SWITCH
 SCALE: 1 : 1 DWG NO. SK-12E14-Gx-S191
 SHEET NO. 1 of 1 PART NO. SK-12E14-Gx-S191

ITEM NO.	DESCRIPTION	DRAWN	DATE
3	更新圖面尺寸	Jack	030515
2	新增SPEC	Jack	111914
1	更新材質	Jack	061913

SIZE: A4
 VER: R3