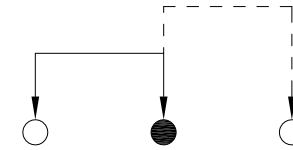
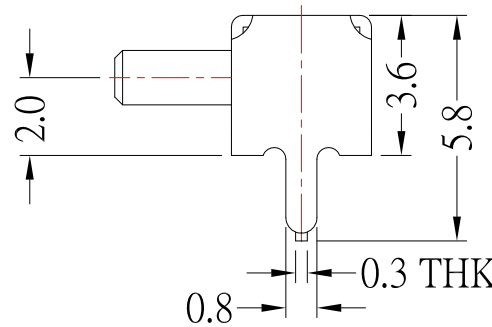
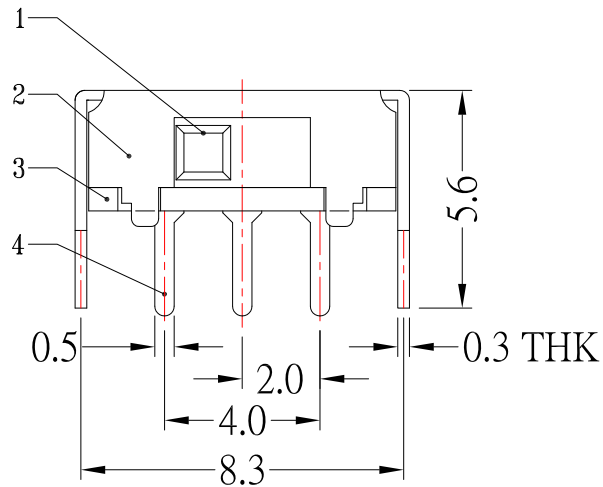


P.C.B MOUNTING PATTERN



SCHEMATIC

Model No.	X(mm)
SK-12D29-GA2	2mm
SK-12D29-GA3	3mm
SK-12D29-GA4	4mm
SK-12D29-GA5	5mm
SK-12D29-GA6	6mm
SK-12D29-GA7	7mm
SK-12D29-GA8	8mm
SK-12D29-GA9	9mm



NO.	DESCRIPTION	QTY	MATERIAL	REMARK
6	SPRING PLATE	1	PBS	Natural
5	CONTACT CLIP	1	PBS	Ag-Plated
4	TERMINAL	3	BRASS	Ag-Plated
3	BASE	1	PHENOLIC RESIN	Natural
2	FRAME	1	SPCC	Sn-Plated
1	KNOB	1	PA66	Black

東莞市高迪電子有限公司  
DONG GUAN GAO DI ELECTRONICS CO., LTD

TOLERANCE UNLESS OTHERWISE STATED:  
 Up to 5 ±0.2  
 Above 5 ~ 15 ±0.3  
 Above 15 ~ 30 ±0.4  
 Above 30 ~ 50 ±0.5  
 Angle ±0.3°

3RD. ANGEL'S

UNITS MM

DRAWN BY:	DATE	MAT'L	TITLE	SWITCH
Jack Lu	05/17/17			
CHECKED BY:	DATE	FINISH	MODLE	SLIDE SWITCH 1P2T 90度 高溫亮錫殼
Jacky Chen	05/17/17			
APPROVED BY:	DATE	SCALE	DWG NO.	SK-12D29-GAx-S191
Tony Kao	05/17/17	1 : 1	PART NO.	SK-12D29-GAx-S191
		SHEET NO.	1 of 1	
				SIZE A4
				VER A0

ITEM NO.	DESCRIPTION	DRAWN	DATE
1	更新為A0版	Jack	051717