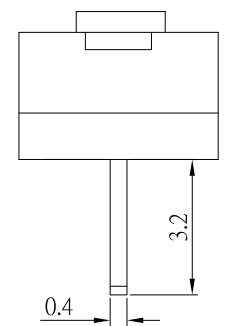
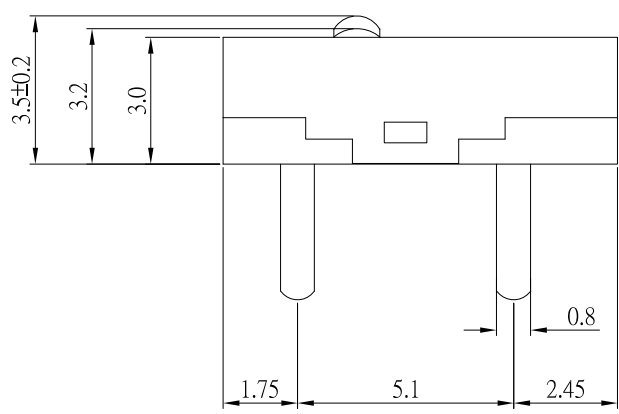
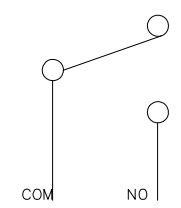
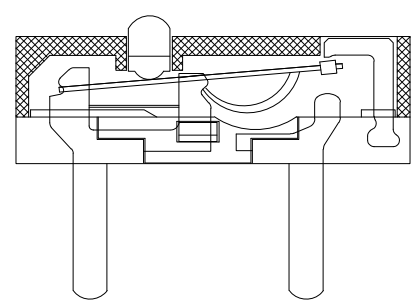


PCB LAYOUT



SPECIFICATIONS

1. Rating : DC 12V 50mA
2. Contact Resistance : 100mΩ Max
3. Insulation Resistance : 100MΩ Min
4. Withstand Voltage : AC 250V
5. Operating Force : 70±10gf
6. Operating Position : 3.2 ±0.1 mm
7. Mechanical Life : 1,000,000 cycles Min



SCHEMATIC

Button	1	POM	White
Cover	1	PBT	Black
Base	1	LCP	
Contact	1	Silver Alloy	
Shrapnel	1	Copper Alloy	
Terminal	3	BRASS	Plating Silver
PART NAME	QTY.	MATERIAL	REMARK



TOLERANCE UNLESS OTHERWISE STATED :
 Up to 5 ±0.2
 Above 5 ~ 15 ±0.3
 Above 15 ~ 30 ±0.4
 Above 30 ~ 50 ±0.5
 Angle ±0.3

3RD. ANGEL'S

UNITS MM

DRAWN BY:	DATE	MAT'L	TITLE
Jack Lu	12/16/20		SWITCH
CHECKED BY:	DATE	FINISH	MODLE
Jacky Chen	12/16/20		MICRO SWITCH
APPROVED BY:	DATE	SCALE	DWG NO.
Tony Kao	12/16/20	1 : 1	DA-P2L-0P10-S105
		SHEET NO.	PART NO.
		1 of 1	DA-P2L-0P10-S105
			SIZE
			A4
			VER
			R3

ITEM NO.	DESCRIPTION	DRAWN	DATE
3	更新圖面	Jack	121620
2	更新料號	Jack	090517
1	新增尺寸	Jack	112613