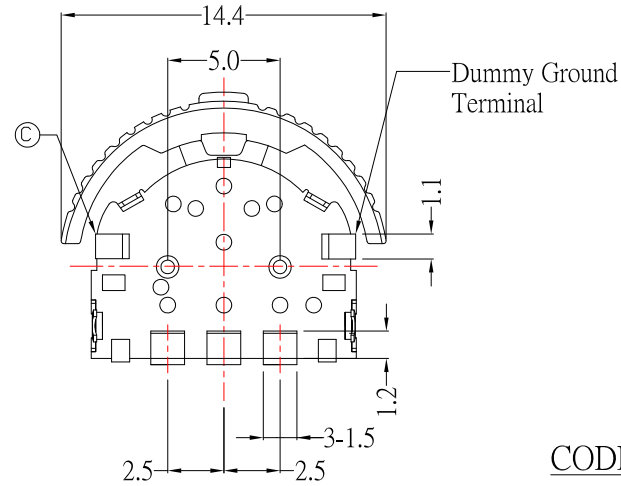
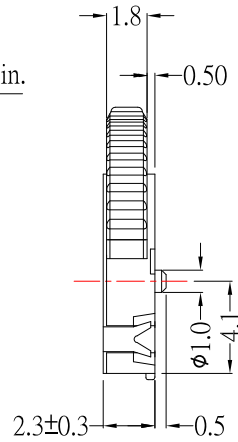
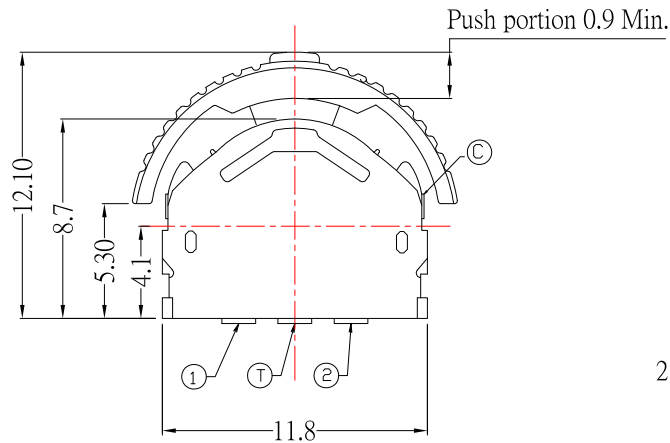
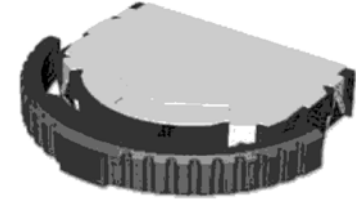


DIMENSIONS



PRODUCT IMAGE



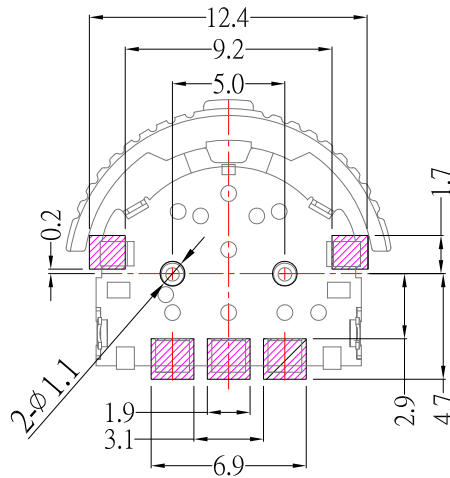
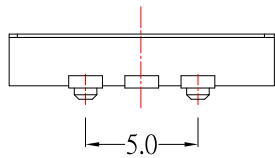
CODE TABLE

Code Table (▨ = ON)

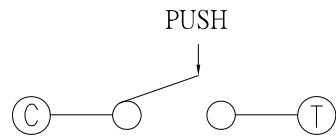
Terminal \ Angle	(20)	(18)°	0°	(18)°	(25)
①	▨				
②					▨
③	▨	▨	▨	▨	▨

CCW ← → CW

P.C.B LAYOUT MOUNTING PATTERN



CIRCUIT DIAGRAM



SPECIFICATIONS

Rating	DC 5V 10mA
Output Voltage	1V Min, at 5V 1mA
Travel	Lever 70 ± 50 gf
Operating Force	Push 200 ± 100 gf
Operating Life (cycles)	100,000

ITEM NO.	DESCRIPTION	DRAWN	DATE
5	更新樣式	Jack	110922
4	新增尺寸公差	Jack	100119
3	更新尺寸及變更為A0版	Jack	062215
2	新增尺寸	Jack	061515
1	Drawing update	FrankWu	061112



TOLERANCE UNLESS OTHERWISE STATED :

Up to 5 ±0.2
Above 5 ~ 15 ±0.3
Above 15 ~ 30 ±0.4
Above 30 ~ 50 ±0.5
Angle ±0.3

3RD. ANGEL'S



UNITS MM

DRAWN BY: Jack Lu
CHECKED BY: Jacky Chen
APPROVED BY: Tony Kao

DATE: 11/09/22
DATE: 11/09/22
DATE: 11/09/22

MAT'L
FINISH
SCALE: 1 : 1
SHEET NO.: 1 of 1

TITLE: SWITCH
MODLE: LEVER SWITCH
DWG NO.: K01B-S126
PART NO.: K01B-S126

SIZE: A4
VER: R5