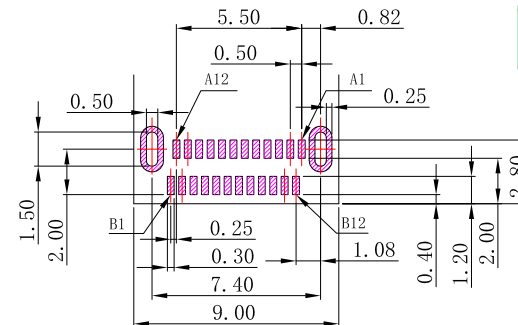
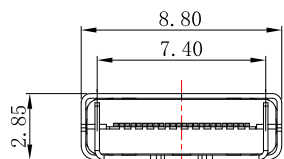
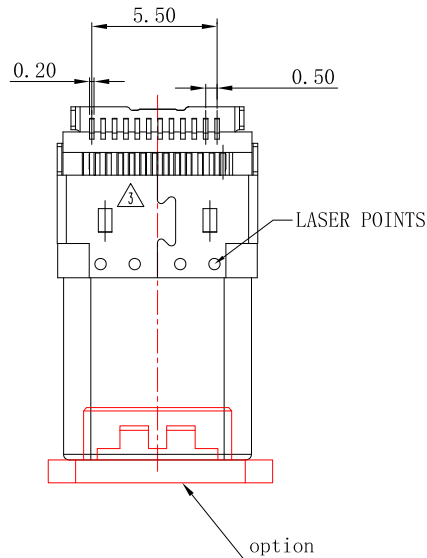
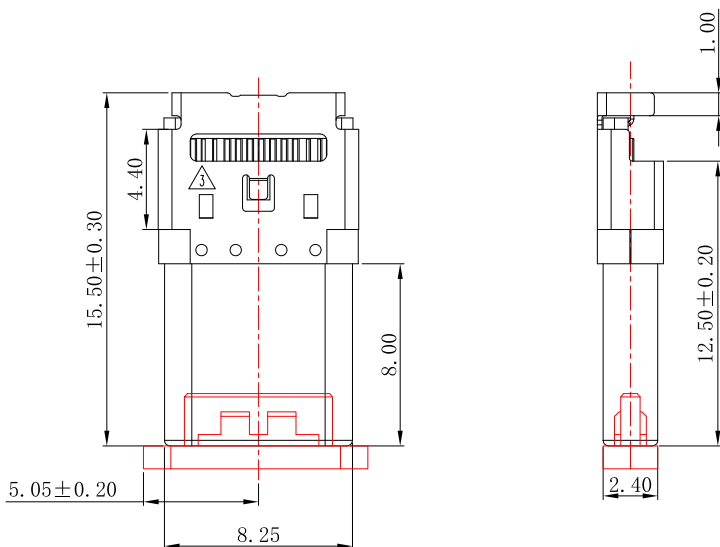




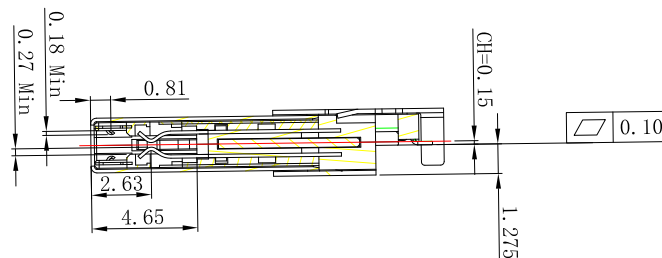
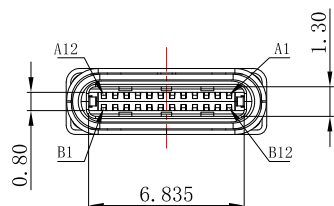
TID:9746



P.C.B LAYOUT MOUNTING PATTERN



| USB TYPE-C FULL-FEATURED RECEPTACLE INTERFACE PIN ASSIGNMENTS |             |   |     |             |   |
|---|-------------|---|-----|-------------|---|
| PIN   | Signal Name | Description   | PIN | Signal Name | Description   |
| A1  | GND         | Ground return   | B12 | GND         | Ground return   |
| A2  | SSTxp1      | Positive half of first SuperSpeed TX differential pair    | B11 | SSRxp1      | Positive half of first SuperSpeed RX differential pair    |
| A3  | SSTxm1      | Negative half of first SuperSpeed TX differential pair    | B10 | SSRxm1      | Negative half of first SuperSpeed RX differential pair    |
| A4  | Vbus        | Bus Power   | B9  | VBUS        | Bus Power   |
| A5  | CC1         | Configuration Channel                                     | B8  | SRB2        | Sideband Use (SRB)  |
| A6  | Dp1         | Positive half of the USB 2.0 differential pair-Position 1 | B7  | Dn2         | Negative half of the USB 2.0 differential pair-Position 2 |
| A7  | Dn1         | Negative half of the USB 2.0 differential pair-Position 1 | B6  | Dp2         | Positive half of the USB 2.0 differential pair-Position 2 |
| A8  | SRB1        | Sideband Use (SRB)  | B5  | CC2         | Configuration Channel                                     |
| A9  | VBUS        | Bus Power   | B4  | VBUS        | Bus Power   |
| A10   | SSRx2       | Negative half of second SuperSpeed RX differential pair   | B3  | SSTx2       | Negative half of second SuperSpeed TX differential pair   |
| A11   | SSRxp2      | Positive half of second SuperSpeed RX differential pair   | B2  | SSTxp2      | Positive half of second SuperSpeed TX differential pair   |
| A12   | GND         | Ground return   | B1  | GND         | Ground return   |



SPECIFICATIONS

Electrical:

- Rating: 5.0V AC , 5.0A(for VBUS);0.25A(for other)
- Contact Resistance: 40 mΩ Max
- Insulation Resistance: 100 MΩ Min
- Dielectric Withstanding Voltage: 100V AC

Material:

- Housing: LCP
- Contact: C7025
- Shell: SUS

Mechanical:

- Connector Mate and Unmate Force
  - Mate force: 5~20 N
  - Unmate force: 8~20 N

Finish:

- Contact: Plated Gold in Mating Area ;  
Tin Plated on Solder Balls ;  
Nickel under plated overall
- Shell: Nickel under Plated surface layer



TOLERANCE UNLESS OTHERWISE STATED:  
 Up to 5 ±0.2  
 Above 5 ~ 15 ±0.3  
 Above 15 ~ 30 ±0.4  
 Above 30 ~ 50 ±0.5  
 Angle ±0.3°

3RD. ANGEL'S



UNITS MM

DRAWN BY: Jack Lu  
 CHECKED BY: Jacky Chen  
 APPROVED BY: Tony Kao

DATE: 08/04/23  
 DATE: 08/04/23  
 DATE: 08/04/23

MAT'L  
 FINISH  
 SCALE 1 : 1  
 SHEET NO. 1 of 1

TITLE CONNECTOR  
 MODLE TYPE C Male SMT 沉板,板上H:1.6mm(TID: 9746)  
 DWG NO. SBC-241PLM3C-31TS338  
 PART NO. SBC-241PLM3C-31TS338

SIZE A4  
 VER R1

| ITEM NO. | DESCRIPTION | DRAWN | DATE   |
|----------|-------------|-------|--------|
| 1        | 更新TID碼      | Jack  | 080423 |