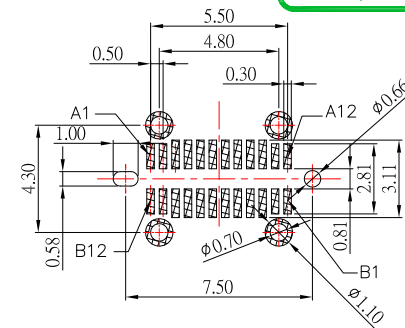
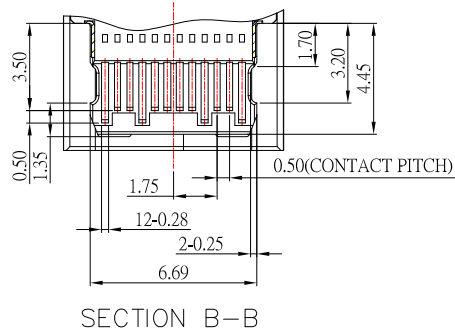
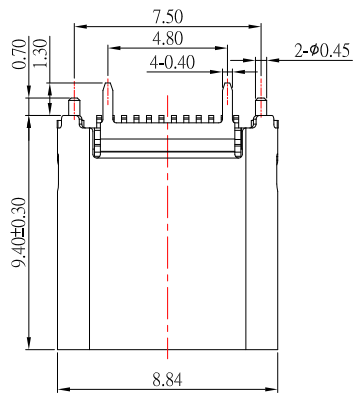




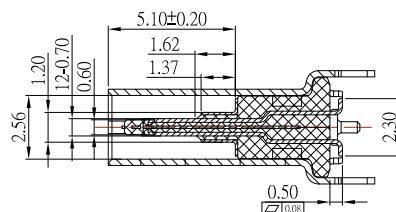
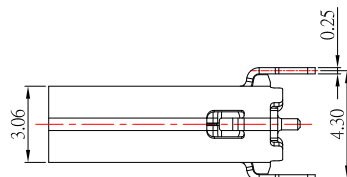
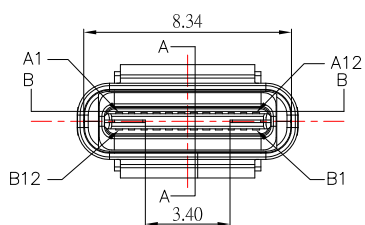
SBC-240VSE14H-31x-S382

鍍層厚度:

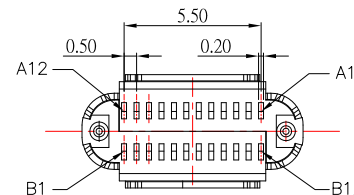
Blank : 1u"
2 : 15u"
3 : 30u"



RECOMMENDED P.C.B. LAYOUT



SECTION A-A



SPECIFICATIONS

Electrical:

1. Rating: 20.0V, 5.0 A
2. Dielectric Withstand Voltage: 100V AC
3. Contact Resistance: 40 mΩ Max
4. Insulation Resistance: 100 MΩ Min

Mechanical:

1. Connector Mate and Unmate Force
 - 1.1 Mate force: 5~20 N
 - 1.2 Unmate force: 6~20 N

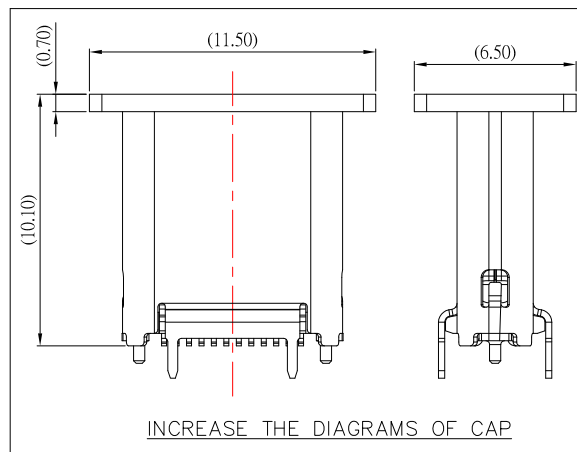
Material:

1. Housing: LCP
2. Contact: C18400
3. Shell: SUS

Finish:

1. Contact: Plated Gold in Mating Area ;
Tin Plated on Solder Balls ;
Nickel under plated overall
2. Shell: Nickel under Plated surface layer

Pin	Signal Name	Mating Sequence	Pin	Signal Name	Mating Sequence
A1	GND	First	B12	GND	First
A2	SSTXp1	Second	B11	SSRXp1	Second
A3	SSTXn1	Second	B10	SSRXn1	Second
A4	V _{WS}	First	B9	V _{WS}	First
A5	CC1	Second	B8	SBU2	Second
A6	Dp1	Second	B7	Dn2	Second
A7	Dn1	Second	B6	Dp2	Second
A8	SBU1	Second	B5	CC2	Second
A9	V _{WS}	First	B4	V _{WS}	First
A10	SSRXn2	Second	B3	SSTXn2	Second
A11	SSRXp2	Second	B2	SSTXp2	Second
A12	GND	First	B1	GND	First
SHELL	GND		SHELL	GND	



INCREASE THE DIAGRAMS OF CAP



TOLERANCE UNLESS OTHERWISE STATED:
 Up to 5 ±0.2
 Above 5 ~ 15 ±0.3
 Above 15 ~ 30 ±0.4
 Above 30 ~ 50 ±0.5
 Angle ±0.3°

3RD. ANGEL'S



UNITS MM

DRAWN BY:	DATE	MAT'L	TITLE	CONNECTOR
Jack Lu	08/09/23		MODLE	USB 3.1 TYPE C 直立式 SMT H9.4 mm 外殼腳長1.3 高導電銅
CHECKED BY:	DATE	FINISH	DWG NO.	SBC-240VSE14H-31x-S382
Jacky Chen	08/09/23	SCALE	1 : 1	PART NO.
APPROVED BY:	DATE	SHEET NO.	1 of 1	SBC-240VSE14H-31x-S382
Tony Kao	08/09/23			

ITEM NO.	DESCRIPTION	DRAWN	DATE