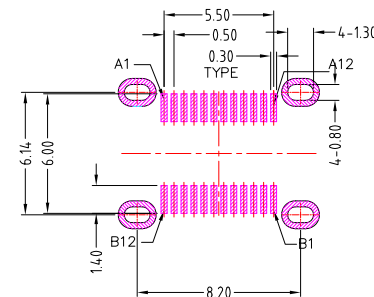
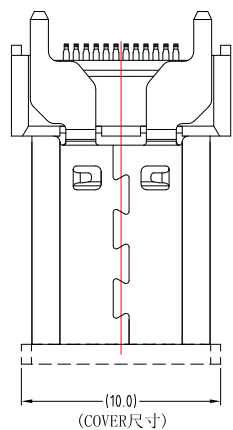




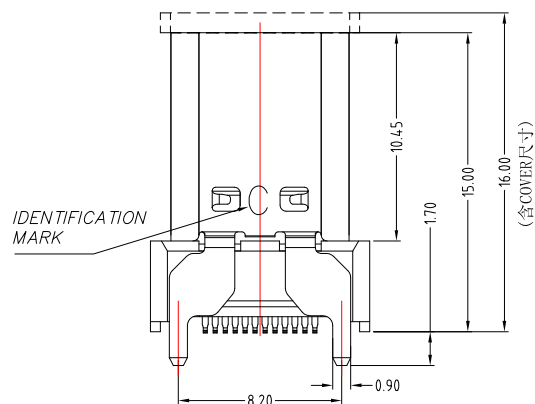
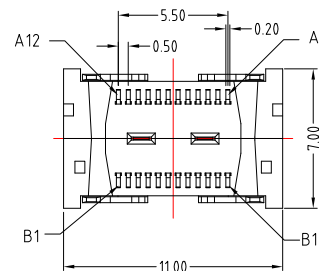
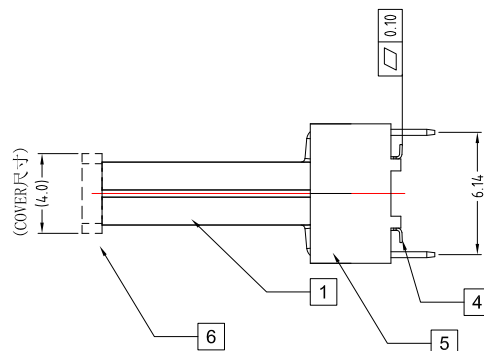
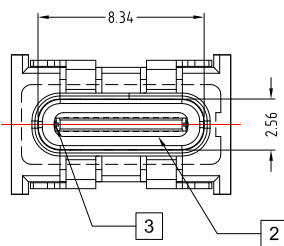
SBC-240VSE5-31x-S277

鍍層厚度：

Blank : 1u"
2 : 15u"
3 : 30u"



RECOMMEND P.C.B LAYOUT



SPECIFICATIONS

Electrical:

1. Dielectric Withstand Voltage: 100V AC
2. Contact Resistance: 40 mΩ Max
3. Insulation Resistance: 100 MΩ Min

Mechanical:

1. Connector Mate and Unmate Force
 - 1.1 Mate force: 5~20 N
 - 1.2 Unmate force: 8~20 N

Material:

1. Housing: LCP
2. Contact: Copper Alloy
3. Shell: SUS

Finish:

1. Contact: Plated Gold in Mating Area ;
Tin Plated on Solder Balls ;
Nickel under plated overall
2. Shell: Nickel under Plated surface layer



TOLERANCE UNLESS OTHERWISE STATED :

Up to 5 ±0.2
Above 5 ~ 15 ±0.3
Above 15 ~ 30 ±0.4
Above 30 ~ 50 ±0.5
Angle ±0.3°

3RD. ANGEL'S



UNITS MM

DRAWN BY:	DATE	MAT'L	TITLE	CONNECTOR
Jack Lu	01/28/21			
CHECKED BY:	DATE	FINISH	MODLE	TYPE C FEMALE VERTICAL H:15.0mm SMT TYPE
Jacky Chen	01/28/21			
APPROVED BY:	DATE	SCALE	DWG NO.	SBC-240VSE5-31x-S277
Tony Kao	01/28/21	1 : 1	PART NO.	SBC-240VSE5-31x-S277
		SHEET NO.	1 of 1	SIZE A4
				VER R2