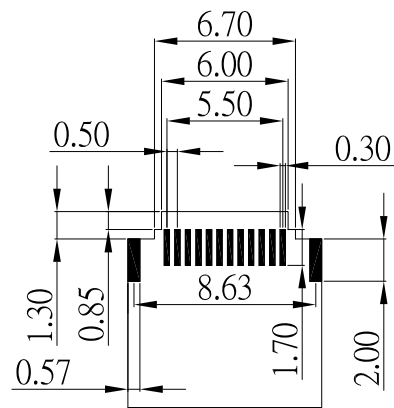
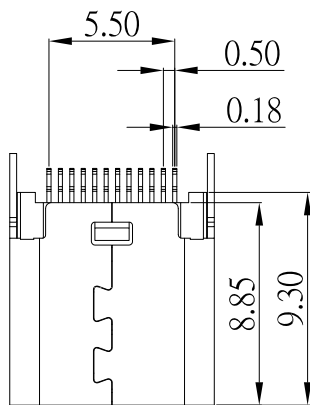
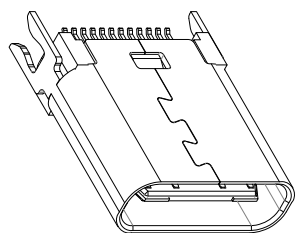




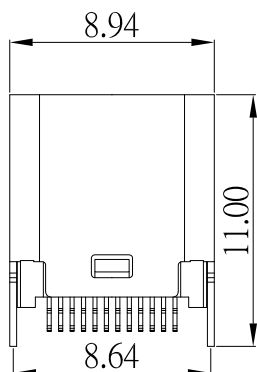
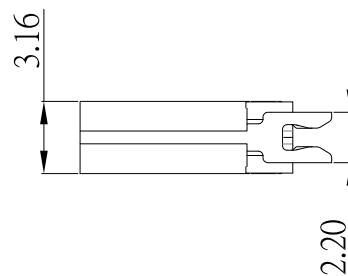
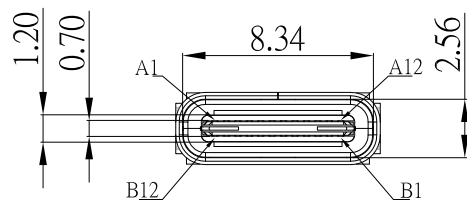
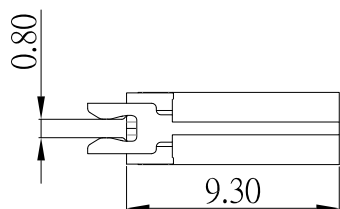
SBC-240V4-31x-S271

鍍層厚度:

Blank : 1u"
2 : 15u"
3 : 30u"



PCB LAYOUT



**SPECIFICATIONS**

**Electrical:**

1. Rating: 3.0 A
2. Dielectric Withstand Voltage: 100V AC
3. Contact Resistance: 40 mΩ Max
4. Insulation Resistance: 100 MΩ Min

**Material:**

1. Housing: LCP, UL 94V-0
2. Contact: C1814
3. Shell: SUS

**Finish:**

1. Contact: Plated Gold in Mating Area ;  
Tin Plated on Solder Balls ;  
Nickel under plated overall
2. Shell: Nickel under Plated surface layer



TOLERANCE UNLESS OTHERWISE STATED:  
 Up to 5 ±0.2  
 Above 5 ~ 15 ±0.3  
 Above 15 ~ 30 ±0.4  
 Above 30 ~ 50 ±0.5  
 Angle ±0.3°

3RD. ANGEL'S



UNITS MM

DRAWN BY:	DATE	MATL	TITLE	CONNECTOR
Jack Lu	01/12/23			
CHECKED BY:	DATE	FINISH	MODLE	USB 3.1 TYPE C 夾板母座
Jacky Chen	01/12/23			
APPROVED BY:	DATE	SCALE	DWG NO.	SBC-240V4-31x-S271
Tony Kao	01/12/23	1 : 1	PART NO.	SBC-240V4-31x-S271
		SHEET NO.	1 of 1	
				SIZE A4
				VER R2

2	更新Contact材質	Jack	011223
1	新增pcb layout	Jack	081617
ITEM NO.	DESCRIPTION	DRAWN	DATE