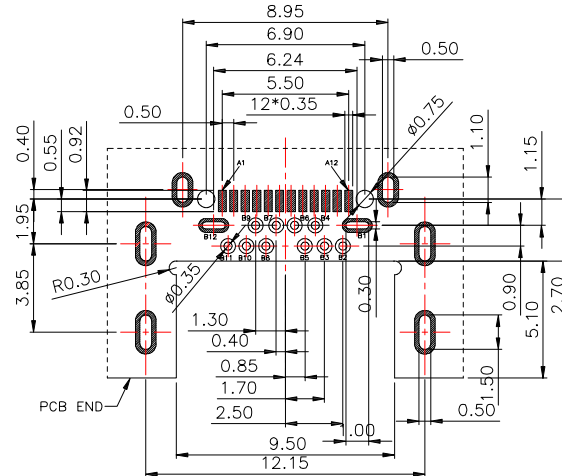
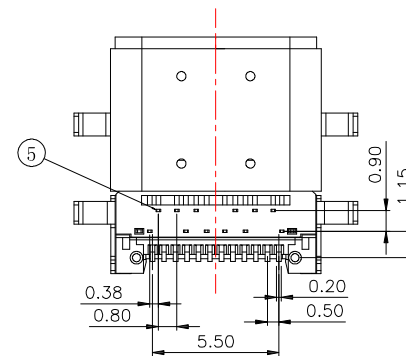
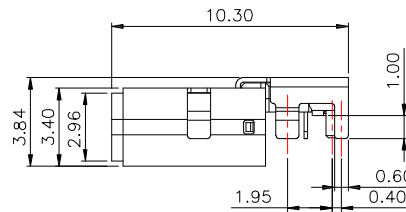
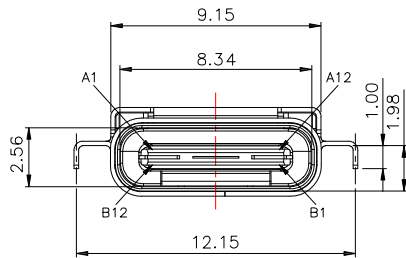


PIN	Signal Name	PIN	Signal Name
A1	GND	B12	GND
A2	SSTXp1	B11	SSRXp1
A3	SSTXn1	B10	SSRXn1
A4	VBUS	B9	VBUS
A5	CC1	B8	SBU2
A6	Dp1	B7	Dn2
A7	Dn1	B6	Dp2
A8	SBU1	B5	CC2
A9	VBUS	B4	VBUS
A10	SSRXn2	B3	SSTXn2
A11	SSRXp2	B2	SSTXp2
A12	GND	B1	GND



P.C.B LAYOUT MOUNTING PATTERN

SPECIFICATIONS

Electrical:

- 1.Current Rating: 5.0A
- 2.Contact Resistance: 40 mΩ Max
- 3.Insulation Resistance: 100 MΩ Min
- 4.Dielectric Withstanding Voltage: 100V AC

Mechanical:

- 1.Connector Mate and Unmate Force
 - 1.1 Mate force: 5~20 N
 - 1.2 Unmate force: 8~20 N

Material:

- 1.Housing: Synthetic Resin,Black
- 2.Contact: Copper Alloy
- 3.Shell: Stainless Steel

Finish:

- 1.Contact: Plated Gold in Mating Area ;
Tin Plated on Solder Balls ;
Nickel under plated overall
- 2.Shell: Nickel under Plated surface layer



TOLERANCE UNLESS OTHERWISE STATED:
 Up to 5 ±0.2
 Above 5 ~ 15 ±0.3
 Above 15 ~ 30 ±0.4
 Above 30 ~ 50 ±0.5
 Angle ±0.3°

3RD. ANGEL'S

UNITS MM

DRAWN BY:	DATE	MAT'L	TITLE	CONNECTOR
Jack Lu	07/28/17			
CHECKED BY:	DATE	FINISH	MODLE	USB 3.1 TYPE C/F 沉板, 板上高 1.66 雙鐵殼 高導電銅30u" (協會認證版)
Jacky Chen	07/28/17			
APPROVED BY:	DATE	SCALE	DWG NO.	SBC-240M3AH-313-S183
Tony Kao	07/28/17	1 : 1	PART NO.	SBC-240M3AH-313-S183
		SHEET NO.	1 of 1	

1	更新料號	Jack	072817
ITEM NO.	DESCRIPTION	DRAWN	DATE