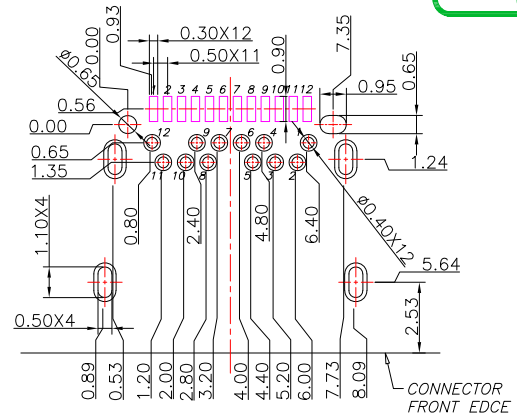


SECTION A-A  
SCALE 1:1



P.C.B LAYOUT

**SPECIFICATIONS**

- Electrical:**
- Rating: 5.0V, 5.0A
  - Contact Resistance: 40 mΩ Max
  - Insulation Resistance: 100 MΩ Min

- Mechanical:**
- Connector Mate and Unmate Force
    - Mate force: 5~20 N
    - Unmate force: 8~20 N

- Material:**
- Housing: LCP
  - Contact: C18400
  - Shell: SUS

- Finish:**
- Contact: Plated Gold in Mating Area ;  
Tin Plated on Solder Balls ;  
Nickel under plated overall
  - Shell: Nickel under Plated surface layer

USB TYPE C PIN ASSIGNMENTS

PIN NUMBER	SIGNAL NAME	PIN NUMBER	SIGNAL NAME
A1	GND	B12	GND
A2	TX1+	B11	TX1+
A3	TX1-	B10	TX1-
A4	VBUS	B9	VBUS
A5	CC1	B8	SBU2
A6	DP1	B7	DN2
A7	DN1	B6	DP2
A8	SBU1	B5	CC2
A9	VBUS	B4	VBUS
A10	RX2-	B3	TX2-
A11	RX2+	B2	TX2+
A12	GND	B1	GND



TOLERANCE UNLESS OTHERWISE STATED :

Up to 5	±0.2
Above 5 ~ 15	±0.3
Above 15 ~ 30	±0.4
Above 30 ~ 50	±0.5
Angle	±0.3°

3RD. ANGEL'S

DRAWN BY:	DATE	MAT'L	TITLE	CONNECTOR
Jack Lu	07/29/24			
CHECKED BY:	DATE	FINISH	MODLE	USB 3.1 TYPE C 母頭板上 SMT腳+PIN腳長1.20 Gen2X2 20Gbps
Jacky Chen	07/29/24			
APPROVED BY:	DATE	SCALE	DWG NO.	SBC-240S46-33-S175
Tony Kao	07/29/24	1 : 1		
		SHEET NO.	PART NO.	SBC-240S46-33-S175
		1 of 1		
				SIZE A4
				VER R1

1	更新定位柱距離尺寸	Jack	072924
ITEM NO.	DESCRIPTION	DRAWN	DATE