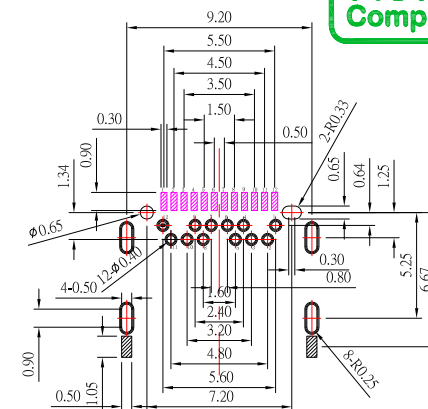
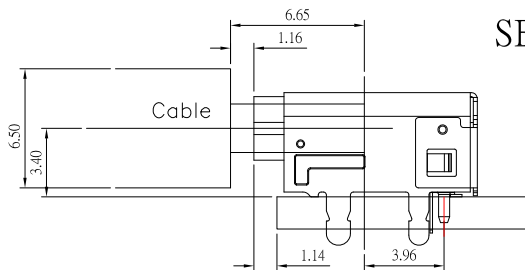
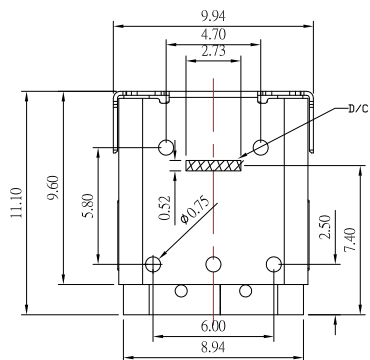




SBC-240S15-31x-S242

鍍層厚度：
Blank : 1u"
2 : 15u"
3 : 30u"



P.C.B LAYOUT MOUNTING PATTERN

SPECIFICATIONS

Electrical:

- 1.Current Rating: 1.25A For VBUS AND GND
- 2.Contact Resistance: 40 mΩ Max
- 3.Insulation Resistance: 100 MΩ Min
- 4.Dielectric Withstanding Voltage: 100V AC

Mechanical:

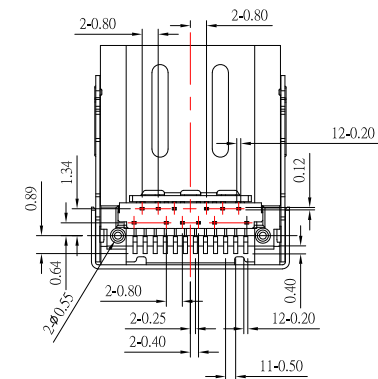
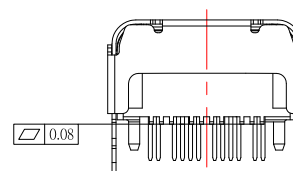
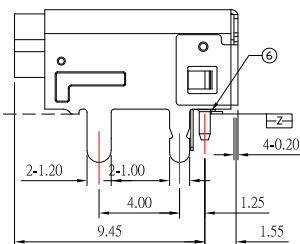
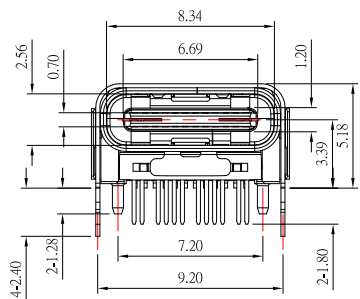
- 1.Connector Mate and Unmate Force
 - 1.1 Mate force: 5~20 N
 - 1.2 Unmate force: 6~20 N

Material:

- 1.Housing:LCP
- 2.Contact:C18400
- 3.Shell: Stainless Steel

Finish:

- 1.Contact: Plated Gold in Mating Area ;
Tin Plated on Solder Balls ;
Nickel under plated overall
- 2.Shell: Nickel under Plated surface layer



PIN ASSIGNMENT:

Pin No.	Signal Name	Pin No.	Signal Name
A1	GND	B12	GND
A2	SSTxp1	B11	SSRXp1
A3	SSTXn1	B10	SSRXn1
A4	VBUS	B9	VBUS
A5	CC1	B8	SBU2
A6	Dp1	B7	Dn2
A7	Dn1	B6	Dp2
A8	SBU1	B5	CC2
A9	VBUS	B4	VBUS
A10	SSRXn2	B3	SSTXn2
A11	SSRXp2	B2	SSTXp2
A12	GND	B1	GND



TOLERANCE UNLESS OTHERWISE STATED :

Up to 5 ±0.2
Above 5 ~ 15 ±0.3
Above 15 ~ 30 ±0.4
Above 30 ~ 50 ±0.5
Angle ±0.3°

3RD. ANGEL'S



UNITS MM

DRAWN BY: Jack Lu
CHECKED BY: Jacky Chen
APPROVED BY: Tony Kao

DATE: 11/25/21
DATE: 11/25/21
DATE: 11/25/21

MAT'L
FINISH
SCALE: 1 : 1
SHEET NO. 1 of 1

TITLE: CONNECTOR
MODLE: USB 3.1 TYPE C 母座板上 L11.0 板上墊高 CL 3.4mm
DWG NO. SBC-240S15-31x-S242
PART NO. SBC-240S15-31x-S242

SIZE: A4
VER: R3

ITEM NO.	DESCRIPTION	DRAWN	DATE
3	更新樣式	Jack	11/25/21
2	PCB LAYOUT更新PIN編號	Jack	11/10/21
1	PCB LAYOUT新增PIN編號	Jack	04/26/19