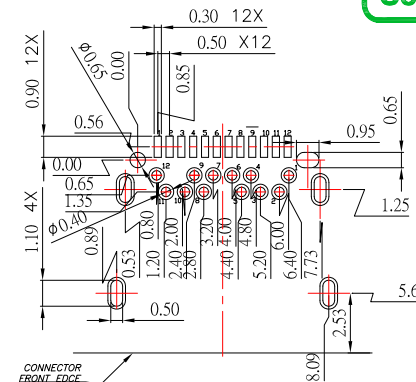
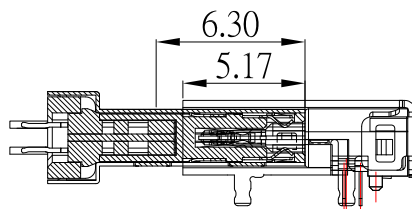
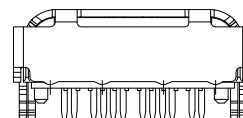
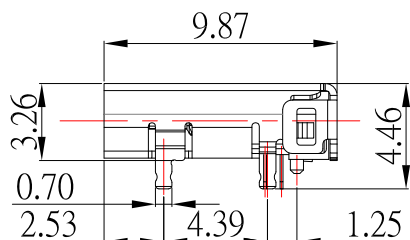
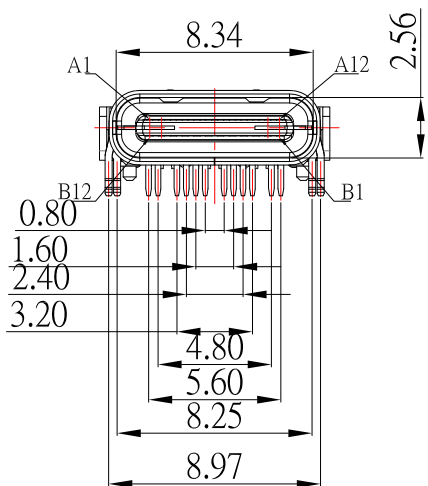
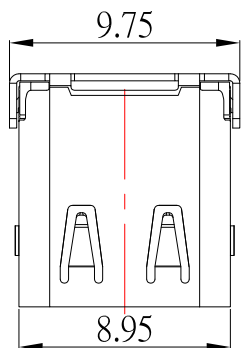




SBC-240S-31x-S271

鍍層厚度:

Blank : 1u"
2 : 15u"
3 : 30u"



P.C.B LAYOUT MOUNTING PATTERN

SPECIFICATIONS

Electrical:

- 1.Rating: 3.0A
- 2.Contact Resistance: 40 mΩ Max
- 3.Insulation Resistance: 100 MΩ Min
- 4.Withstanding Voltage: 100V AC

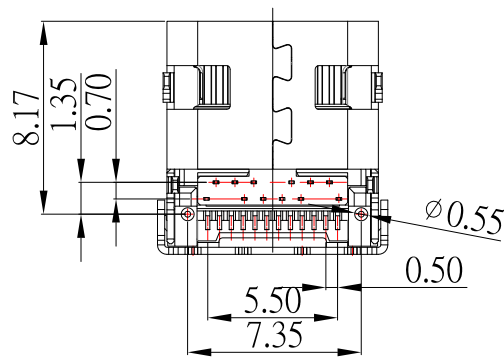
Material:

- 1.Housing: LCP
- 2.Contact: C18140
- 3.Shell: SUS

Finish:

- 1.Contact: Plated Gold in Mating Area ;
Tin Plated on Solder Balls ;
Nickel under plated overall
- 2.Shell: Nickel under Plated surface layer

A1	GND	B12	GND
A2	SSTXP1	B11	SSRXN1
A3	SSTXN1	B10	SSRXN1
A4	VBUS	B9	VBUS
A5	CC1	B8	SBU2
A6	DP1	B7	DN2
A7	DN1	B6	DP2
A8	SBU1	B5	CC2
A9	VBUS	B4	VBUS
A10	SSRXN2	B3	SSTXN2
A11	SSRXP2	B2	SSTXP2
A12	GND	B1	GND
PIN	SIGNAL NAME	PIN	SIGNAL NAME



6	更新Contact材質	Jack	021623
5	更新Contact材質	Jack	010423
4	更新PCB LAYOUT及新增零件剖面圖	Jack	010821
3	新增尺寸	Jack	052520
2	新增插入深度尺寸	Jack	052020
1	更新SPEC	Jack	041420
ITEM NO.	DESCRIPTION	DRAWN	DATE

東莞市高迪電子有限公司
DONG GUAN GAO DI ELECTRONICS CO., LTD

TOLERANCE UNLESS OTHERWISE STATED:

Up to 5 ±0.2
Above 5 ~ 15 ±0.3
Above 15 ~ 30 ±0.4
Above 30 ~ 50 ±0.5
Angle ±0.3°

3RD. ANGEL'S



UNITS

MM

DRAWN BY:	DATE
Jack Lu	02/16/23
CHECKED BY:	DATE
Jacky Chen	02/16/23
APPROVED BY:	DATE
Tony Kao	02/16/23

MAT'L		TITLE	CONNECTOR
FINISH		MODLE	USB 3.1 TYPE C PIN 腳長1.2mm
SCALE	1 : 1	DWG NO.	SBC-240S-31x-S271
SHEET NO.	1 of 1	PART NO.	SBC-240S-31x-S271
		SIZE	A4
		VER	R6