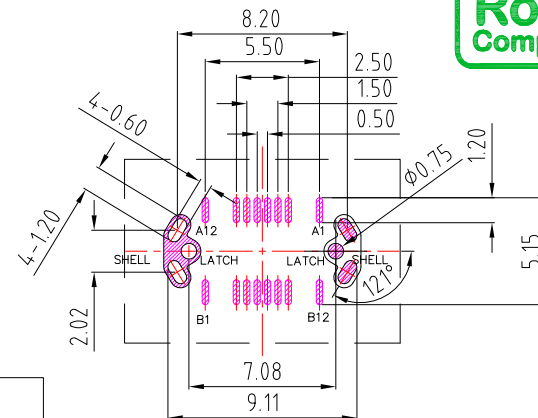
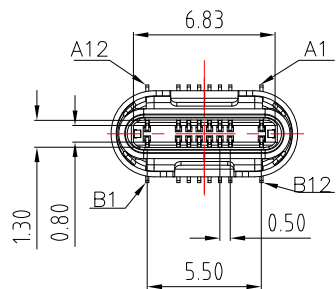




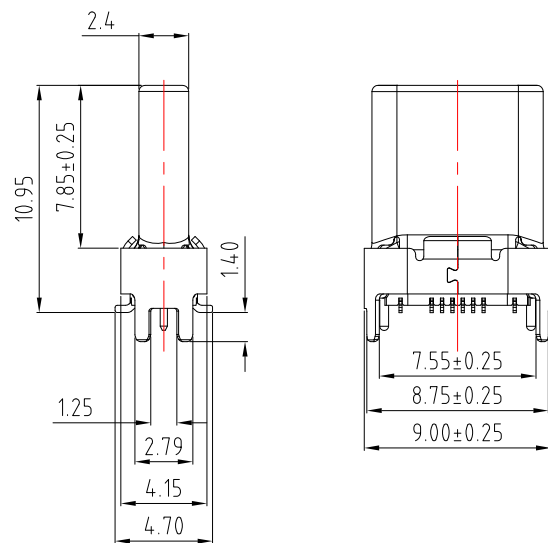
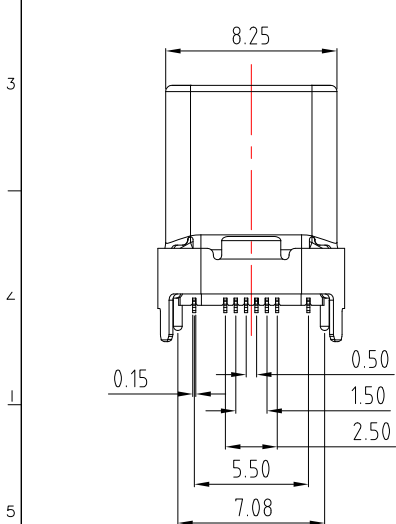
# SBC-161VSE1-20x-S338

鍍層厚度:

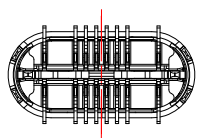
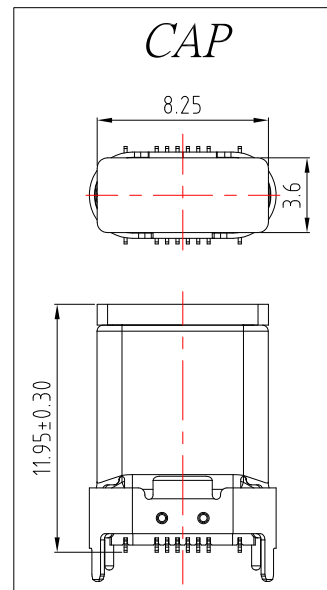
Blank	: 1u"
2	: 15u"
3	: 30u"



RECOMMENDED P.C.B. LAYOUT



PINS DESCRIPTION  
PLUG FRONT VIEW



A12	A11	A10	A9	A8	A7	A6	A5	A4	A3	A2	A1
GND			VBus	SBU1	D-	D+	CC	VBus			GND
GND			VBus	Vconn			SBU2	VBus			GND
B1	B2	B3	B4	B5	B6	B7	B8	B9	B10	B11	B12

## SPECIFICATIONS

Material:

- 1.Housing: LCP
- 2.Contact: C7025
- 3.Shell: SUS

Finish:

- 1.Contact: Plated Gold in Mating Area ;  
Tin Plated on Solder Balls ;  
Nickel under plated overall
- 2.Shell: Nickel under Plated surface layer

2	更新尺寸標示位置	Jack	032922
1	更新樣式和pcb layout尺寸	Jack	032322
ITEM NO.	DESCRIPTION	DRAWN	DATE



TOLERANCE UNLESS OTHERWISE STATED:

Up to 5 ±0.2  
Above 5 ~ 15 ±0.3  
Above 15 ~ 30 ±0.4  
Above 30 ~ 50 ±0.5  
Angle ±0.3°

3RD. ANGEL'S



UNITS MM

DRAWN BY:	DATE	MAT'L	TITLE	CONNECTOR
Jack Lu	03/29/22			
CHECKED BY:	DATE	FINISH	MODLE	TYPE C M 直立式 SMT H10.95 拉伸款
Jacky Chen	03/29/22			
APPROVED BY:	DATE	SCALE	DWG NO.	SBC-161VSE1-20x-S338
Tony Kao	03/29/22	1 : 1	PART NO.	SBC-161VSE1-20x-S338
		SHEET NO.	1 of 1	SIZE A4
				VER R2