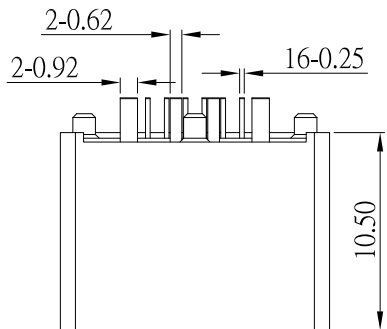




CMB-UCUAx-V-S412

HOUSING COLOR :

White : W
Black : B

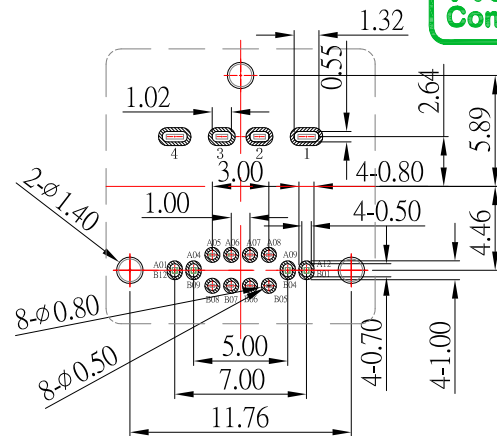


Type c pin Def:

A1	GND	B12	GND
A4	VBUS	B9	VBUS
A5	CC1	B8	SBU2
A6	D+	B7	D-
A7	D-	B6	D+
A8	SBU1	B5	CC2
A9	VBUS	B4	VBUS
A12	GND	B1	GND

USB 2.0 pin Def:

1	VBUS	A7	D-	B6	D+
2	D-	A8	SBU1	B5	CC2
3	D+	A9	VBUS	B4	VBUS
4	GND	A12	GND	B1	GND
PIN	SIGNAL NAME	PIN	SIGNAL NAME	PIN	SIGNAL NAME



RECOMMENDED P.C.B. LAYOUT

SPECIFICATIONS

Electrical:

- 1.Rating: 3.0A
- 2.Dielectric Withstand Voltage: 150V AC
- 3.Contact Resistance: 30 mΩ Max
- 4.Insulation Resistance: 100 MΩ Min

Mechanical:

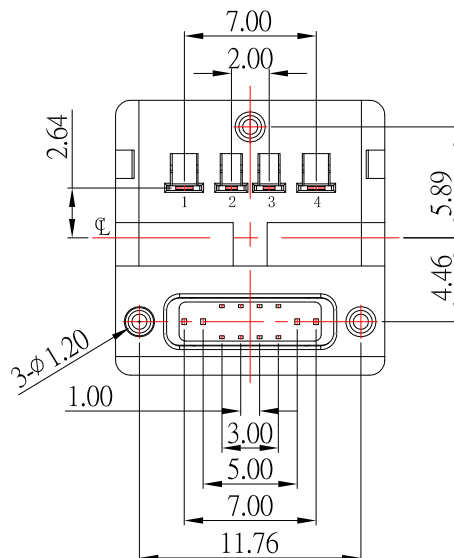
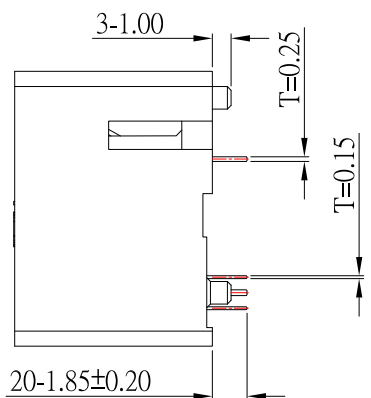
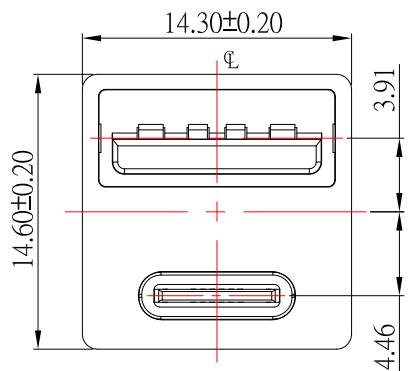
- 1.Connector Mate and Unmate Force
 - 1.1 Mate force: 5~20 N
 - 1.2 Unmate force: 8~20 N

Material:

- 1.Housing: LCP
- 2.Contact: C7025
- 3.Shell: Brass

Finish:

- 1.Contact: Plated Gold in Mating Area ;
Tin Plated on Solder Balls ;
Nickel under plated overall
- 2.Shell: Nickel under Plated surface layer



TOLERANCE UNLESS OTHERWISE STATED:
 Up to 5 ±0.2
 Above 5 ~ 15 ±0.3
 Above 15 ~ 30 ±0.4
 Above 30 ~ 50 ±0.5
 Angle ±0.3°

3RD. ANGEL'S



UNITS MM

DRAWN BY: Jack Lu
 CHECKED BY: Jacky Chen
 APPROVED BY: Tony Kao

DATE: 06/29/23
 DATE: 06/29/23
 DATE: 06/29/23

MAT'L
 FINISH
 SCALE: 1 : 1
 SHEET NO. 1 of 1

TITLE: Combo Connector
 MODLE: USB TYPE C 16P+ USB 2.0 二合一母座 H10.5
 DWG NO. CMB-UCUAx-V-S412
 PART NO. CMB-UCUAx-V-S412

ITEM NO.	DESCRIPTION	DRAWN	DATE