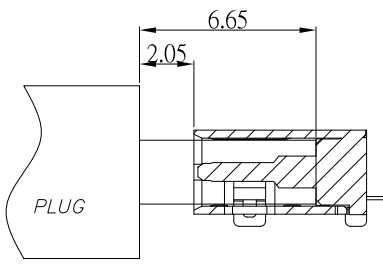
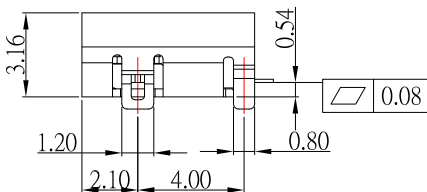
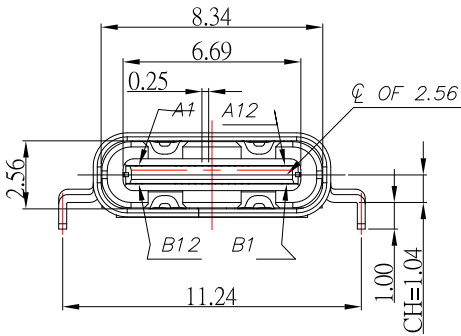
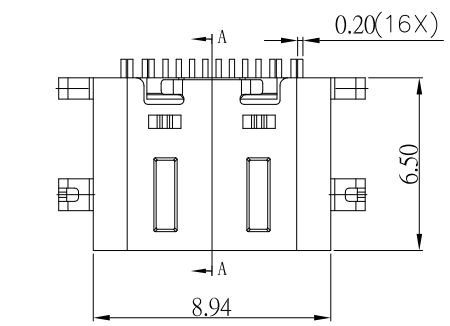




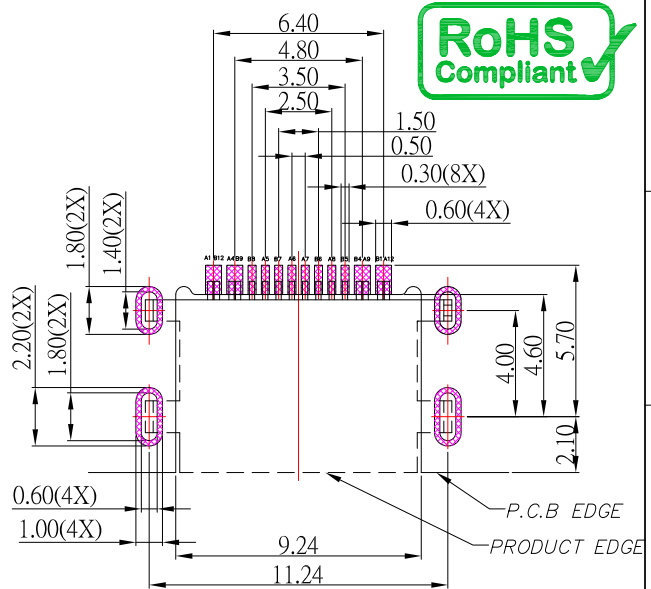
# SBC-160M16-20x-S331

鍍層厚度:

Blank	: 1u"
2	: 15u"
3	: 30u"



AFTER MATING



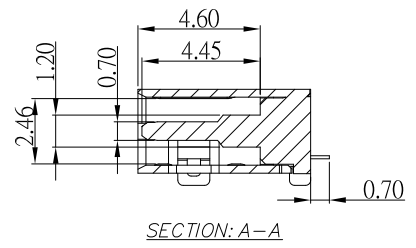
RECOMMENDED P.C.B. LAYOUT

### SPECIFICATIONS

- Electrical:**
- 1.Rating: 5.0 V, 5.0 A
  - 2.Dielectric Withstand Voltage: 100V AC
  - 3.Contact Resistance: 40 mΩ Max
  - 4.Insulation Resistance: 100 MΩ Min

- Mechanical:**
- 1.Connector Mate and Unmate Force
    - 1.1 Mate force: 5~20 N
    - 1.2 Unmate force: 8~20 N

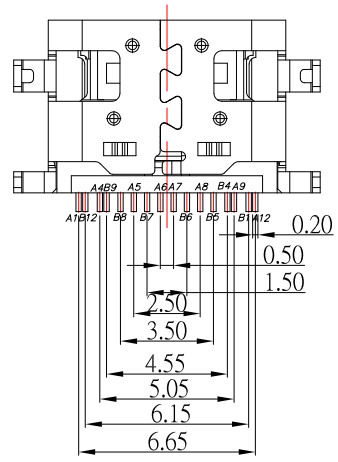
- Material:**
- 1.Housing: PA9T
  - 2.Contact: C1815
  - 3.Shell: SUS
- Finish:**
- 1.Contact: Plated Gold in Mating Area ;  
Gold Plated on Solder Balls ;  
Nickel under plated overall
  - 2.Shell: Nickel under Plated surface layer



SECTION: A-A

### USB TYPE-C PIN ASSIGNMENTS

PIN NUMBER	SIGNAL NAME	PIN NUMBER	SIGNAL NAME
A1	GND	B12	GND
A4	VBUS	B9	VBUS
A5	CC1	B8	SBU2
A6	Dp1	B7	Dn2
A7	Dn1	B6	Dp2
A8	SBU1	B5	CC2
A9	VBUS	B4	VBUS
A12	GND	B1	GND



TOLERANCE UNLESS OTHERWISE STATED:  
 Up to 5 ±0.2  
 Above 5 ~ 15 ±0.3  
 Above 15 ~ 30 ±0.4  
 Above 30 ~ 50 ±0.5  
 Angle ±0.3°

3RD. ANGEL'S



UNITS MM

DRAWN BY:	DATE	MAT'L	TITLE	CONNECTOR
Jack Lu	11/02/22			
CHECKED BY:	DATE	FINISH	MODLE	USB TYPE C 2.0 沉板上H2.62mm
Jacky Chen	11/02/22			
APPROVED BY:	DATE	SCALE	DWG NO.	SBC-160M16-20x-S331
Tony Kao	11/02/22	1 : 1	PART NO.	SBC-160M16-20x-S331
		SHEET NO.	1 of 1	
				SIZE A4
				VER R2

2	更新Contact材質	Jack	110222
1	更新鍍層	Jack	102822
ITEM NO.	DESCRIPTION	DRAWN	DATE