



# SBC-160M12-20x-S242

鍍層厚度:

Blank : 1u"
2 : 15u"
3 : 30u"

## SPECIFICATIONS

### Electrical:

- Rating: 3.0 A
- Dielectric Withstand Voltage: 100V AC
- Contact Resistance: 40 mΩ Max
- Insulation Resistance: 100 MΩ Min

### Mechanical:

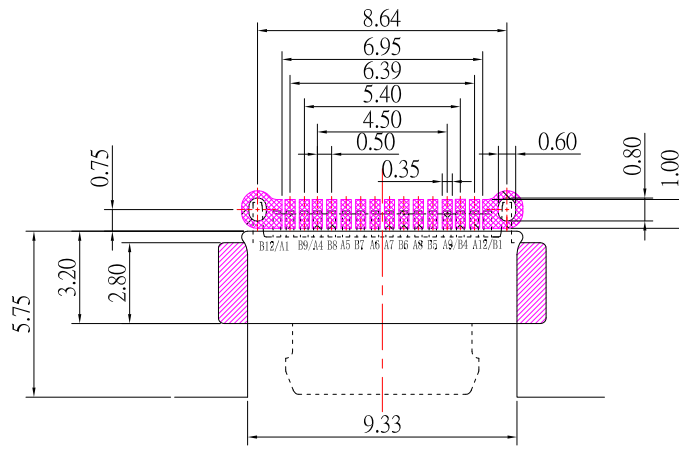
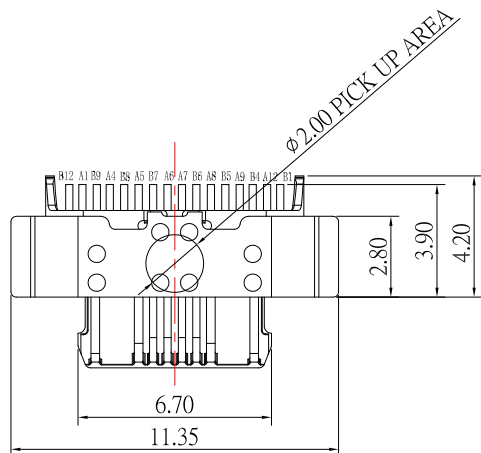
- Connector Mate and Unmate Force
  - Mate force: 5~20 N
  - Unmate force: 8~20 N

### Material:

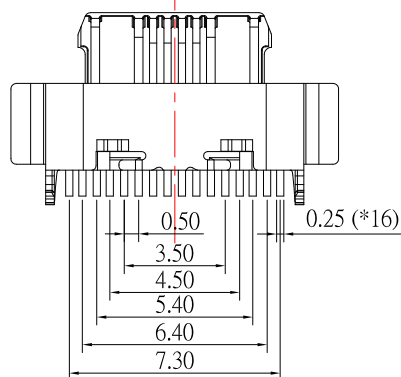
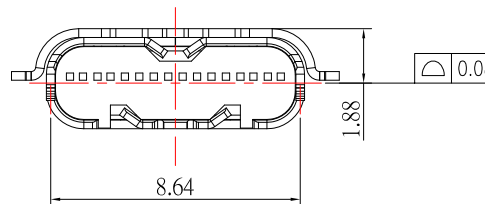
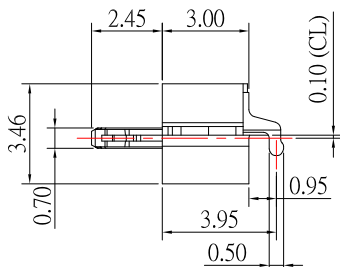
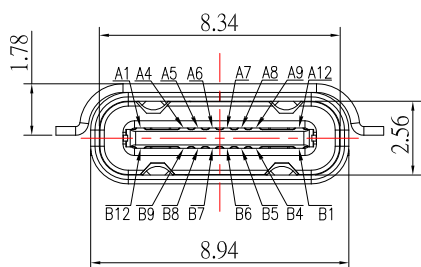
- Housing: PA46
- Contact: Copper Alloy
- Shell: SUS

### Finish:

- Contact: Plated Gold in Mating Area ;  
Tin Plated on Solder Balls ;  
Nickel under plated overall
- Shell: Nickel under Plated surface layer



RECOMMENDED P.C.B. LAYOUT



PIN	A1	A4	A5	A6	A7	A8	A9	A12
Signal Name	GND	V <sub>BUS</sub>	CC1	Dp1	Dn1	SBU1	V <sub>BUS</sub>	GND
PIN	B12	B9	B8	B7	B6	B5	B4	B1
Signal Name	GND	V <sub>BUS</sub>	SBU2	Dn2	Dp2	CC2	V <sub>BUS</sub>	GND



TOLERANCE UNLESS OTHERWISE STATED:

Up to 5 ±0.2  
Above 5 ~ 15 ±0.3  
Above 15 ~ 30 ±0.4  
Above 30 ~ 50 ±0.5  
Angle ±0.3°

3RD. ANGEL'S



UNITS

MM

DRAWN BY:	DATE	MAT'L	TITLE	CONNECTOR
Jack Lu	11/23/20			
CHECKED BY:	DATE	FINISH	MODLE	USB C TYPE 2.0 母座沉板, 板上 H1.78mm
Jacky Chen	11/23/20			
APPROVED BY:	DATE	SCALE	DWG NO.	SBC-160M12-20x-S242
Tony Kao	11/23/20	1 : 1	PART NO.	SBC-160M12-20x-S242
		SHEET NO.	1 of 1	

ITEM NO.	DESCRIPTION	DRAWN	DATE