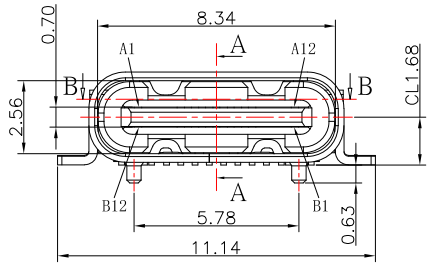


P.C.B LAYOUT

SBC-1640S5E-20x-S175

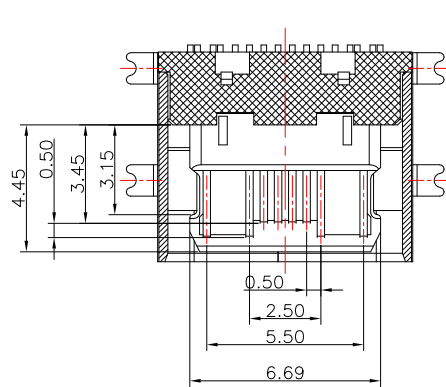
鍍層厚度 :

Blank : 1u"
2 : 15u"
3 : 30u"

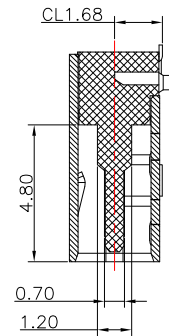


USB TYPE C PIN ASSIGNMENTS

PIN NUMBER	SIGNAL NAME	PIN NUMBER	SIGNAL NAME
A1	GND	B12	GND
A4	VBUS	B9	VBUS
A5	CC1	B8	SUB2
A6	Dp1	B7	Dn2
A7	Dn1	B6	Dp2
A8	SBU1	B5	CC2
A9	VBUS	B4	VBUS
A12	GND	B1	GND



SECTION B-B
SCALE 1:1



SECTION A-A
SCALE 1:1

SPECIFICATIONS

Electrical:

- Rating: 5.0V , 5.0A
- Contact Resistance: 40 mΩ Max
- Insulation Resistance: 100 MΩ Min
- Dielectric Withstanding Voltage: 100V AC

Material:

- Housing: LCP
- Contact: C18400
- Shell: SUS

Finish:

- Contact: Plated Gold in Mating Area ;
Gold Plated on Solder Balls ;
Nickel under plated overall
- Shell: Nickel under Plated surface layer



TOLERANCE UNLESS OTHERWISE STATED :	Up to 5 ±0.2 Above 5 ~ 15 ±0.3 Above 15 ~ 30 ±0.4 Above 30 ~ 50 ±0.5 Angle ±0.3	3RD. ANGEL'S	UNITS	MM
-------------------------------------	---	--------------	-------	----

DRAWN BY:	DATE	MAT'L	TITLE	CONNECTOR
Jack Lu	06/07/24	FINISH	MODLE	USB C TYPE 2.0 Female SMT 16PIN 全貼無彈 外殼腳長11.14
CHECKED BY:	DATE	SCALE	DWG NO.	SIZE
Jacky Chen	06/07/24	1 : 1	SBC-160S5E-20x-S175	A4
APPROVED BY:	DATE	SHEET NO.	PART NO.	VER
Tony Kao	06/07/24	1 of 1	SBC-160S5E-20x-S175	R