



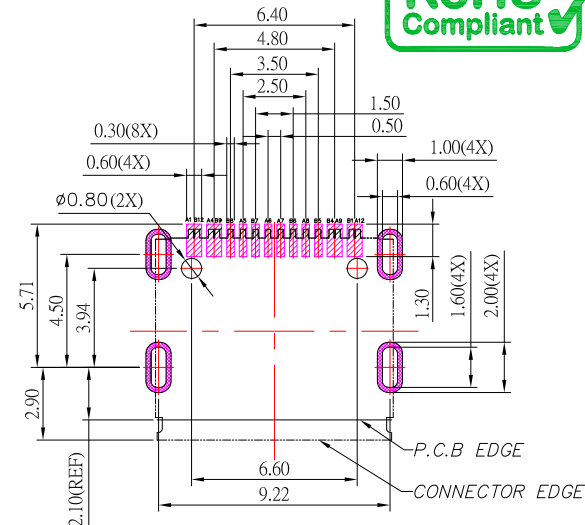
SBC-160S2CH-20x-S410

鍍層厚度:

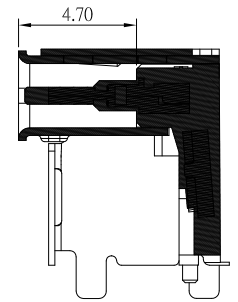
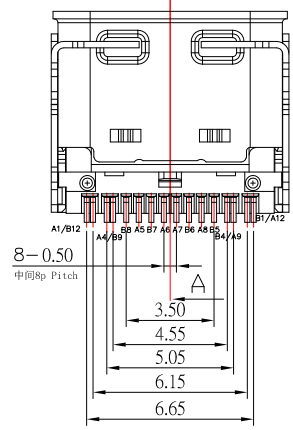
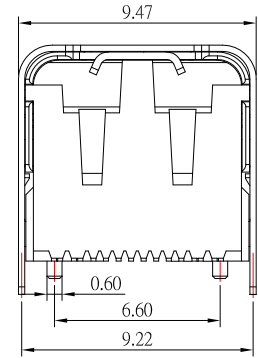
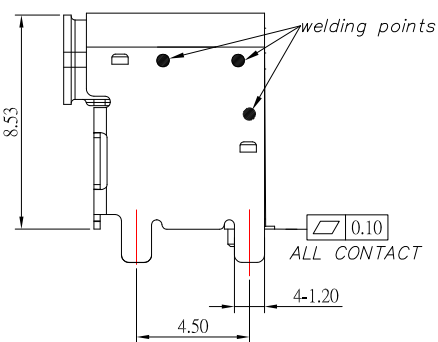
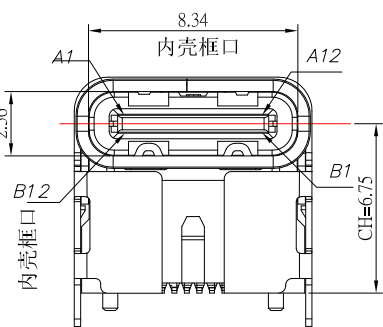
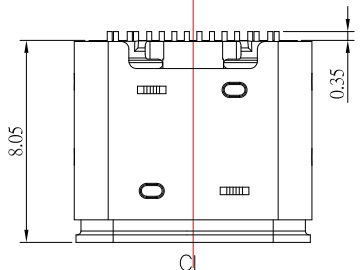
Blank : 1u"
1 : 3u"
2 : 15u"
3 : 30u"

PIN ASSIGNMENTS

A1	GND	B12	GND
A2		B11	
A3		B10	
A4	VBUS	B9	VBUS
A5	CC1	B8	SBU2
A6	DP1	B7	DN2
A7	DN1	B6	DP2
A8	SBU1	B5	CC2
A9	VBUS	B4	VBUS
A10		B3	
A11		B2	
A12	GND	B1	GND
PIN	SIGNAL NAME	PIN	SIGNAL NAME



RECOMMENDED P.C.B. LAYOUT



SPECIFICATIONS

- Electrical:**
- 1.Current Rating: 5.0 A
 - 2.Voltage Rating: 20.0V
 - 3.Dielectric Withstand Voltage: 100V AC
 - 4.Contact Resistance: 40 mΩ Max
 - 5.Insulation Resistance: 100 MΩ Min
- Mechanical:**
- 1.Connector Mate and Unmate Force
 - 1.1 Mate force: 5~20 N
 - 1.2 Unmate force: 8~20 N

Material:

- 1.Housing: LCP
 - 2.Contact: C7025
 - 3.Shell: SUS
- Finish:**
- 1.Contact: Plated Gold in Mating Area ;
Gold Plated on Solder Balls ;
Nickel under plated overall
 - 2.Shell: Nickel under Plated surface layer

6	新增尺寸和更新Current Rating和Voltage Rating	Jack	120822
5	更新PCB LAYOUT尺寸	Jack	112322
4	更新樣式	Jack	031422
3	更新材質	Jack	011022
2	更新樣式及尺寸	Jack	051221
1	更新樣式	Jack	042121
ITEM NO.	DESCRIPTION	DRAWN	DATE



TOLERANCE UNLESS OTHERWISE STATED:
 Up to 5 ±0.2
 Above 5 ~ 15 ±0.3
 Above 15 ~ 30 ±0.4
 Above 30 ~ 50 ±0.5
 Angle ±0.3

3RD. ANGEL'S

UNITS MM

DRAWN BY:	DATE	MAT'L	TITLE	CONNECTOR
Jack Lu	12/08/22			
CHECKED BY:	DATE	FINISH	MODLE	USB 3.1 TYPE C 單排SMT墊高6.75 L 8.0mm 高導電銅
Jacky Chen	12/08/22			
APPROVED BY:	DATE	SCALE	DWG NO.	SBC-160S2CH-20x-S410
Tony Kao	12/08/22	1 : 1	PART NO.	SBC-160S2CH-20x-S410
		SHEET NO.	1 of 1	SIZE A4
				VER R6